



Kitchen Island with 2 Stools

Model Number:
DA7867

UPC Code:
0-65857-17806-7

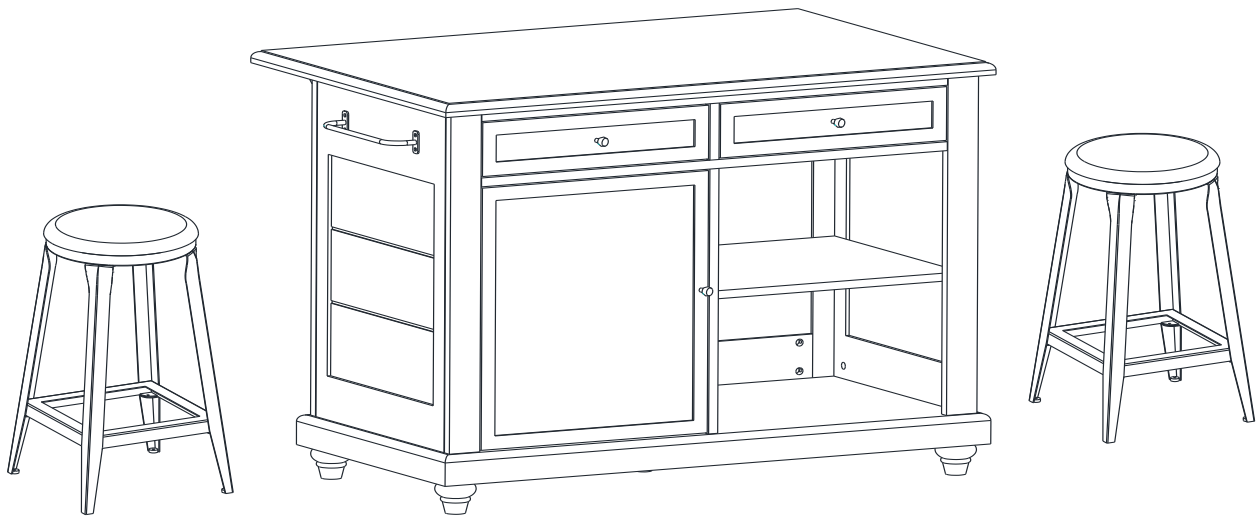
Congratulations on your latest furniture purchase! **Dorel Living** furniture has been developed with quality, convenience and style in mind. We trust it will provide you with many years of exceptional comfort and service.

Before beginning assembly, we encourage you to familiarize yourself with your new furniture piece by taking a few minutes to go through this booklet. It contains important information on our warranty and care tips to keep your furniture looking as good as new.

Customer satisfaction is important to us at Dorel Asia. Our agents are available Monday to Friday 8am to 5pm (EST) to answer any question you may have. For faster service, always have the model number ready when calling our toll free number **1-800-295-1980** or emailing us at **das@dorel.com** .

For more great furniture ideas, check out our website at www.dorelliving.com

You can also keep up to date on all the latest trends by liking our [Facebook page](#).



Date of Purchase: ____ / ____ / ____

Lot Number: _____
(taken from carton)

DO NOT RETURN PRODUCT TO THE STORE. If a part is missing or damaged, contact our customer service department. We will replace the part **FREE** of charge.

NOTE: THIS INSTRUCTION BOOKLET CONTAINS **IMPORTANT** SAFETY INFORMATION. PLEASE READ AND KEEP FOR FUTURE REFERENCE.

CUSTOMER SERVICE

If you are missing parts or have any questions about this product, contact our customer service representative first!



CALL 1-800-295-1980

You can also order parts by writing to the address listed below. Please include the product model number, color and a detailed description of the part.

**Customer Service Department No. 413
12345 Albert-Hudon Boulevard, Suite 100
Montreal, Quebec
Canada H1G 3L1
E-MAIL: das@dorel.com**

NOTE

- * Ensure that all parts and components are located before beginning assembly.
- * Assemble on a soft surface to prevent damage to the product finish.
- * **DO NOT** use the unit if it is damaged or broken.
- * **DO NOT** use power tools.
- * Caution: Adult assembly required.
- * Assembly will require 2 people.
- * Estimated assembly time: 60 minutes.
- * Phillips head screwdriver (not provided) is required for assembly.

CARE AND CLEANING

Dust regularly with a soft, lint-free cloth to prevent soil build-up. A damp cloth may be used occasionally to clean surface. Dry immediately. Do not use any abrasives that may damage finish. Excessive exposure to sunlight and extreme changes in temperature and moisture can damage wood furniture.

MAINTENANCE

Check bolts/screws periodically and tighten them if necessary.

LIMITED WARRANTY

Dorel warrants its product to be free from defects in material and workmanship and agrees to remedy any such defect. This warranty covers 1 year from the date of original purchase. This warranty is valid only upon presentation of proof of purchase. This is solely limited to the repair or replacement of defective furniture components and no assembly labor is included. This warranty does not apply to any product which has been improperly assembled, subjected to misuse or abuse or which has been altered or repaired in any way. This warranty gives you specific legal rights and you may also have other rights which vary from State to State.


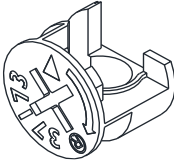
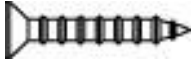
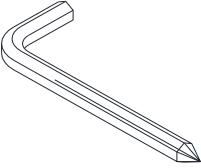

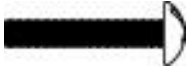

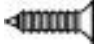
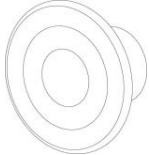


WARNING: Should this product become damaged, and/or components are broken or missing, DO NOT USE.

Kitchen Island with 2 Stools

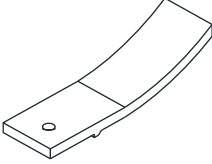
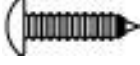



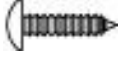
DA7867

HARDWARE LIST

<p style="text-align: center;">1</p> 	<p style="text-align: center;">2</p> 	<p style="text-align: center;">3</p>  <p style="text-align: center;">$\varnothing 5/32" * 1"$</p>
<p style="text-align: center;">CAM BOLT 28 PCS</p>	<p style="text-align: center;">CAM LOCK 28 PCS</p>	<p style="text-align: center;">FLAT HEAD SCREW 16 PCS</p>
<p style="text-align: center;">4</p>  <p style="text-align: center;">M4</p>	<p style="text-align: center;">5</p>  <p style="text-align: center;">$\varnothing 8 * 30\text{mm}$</p>	<p style="text-align: center;">6</p>  <p style="text-align: center;">$\varnothing 5/32" * 7/8"$</p>
<p style="text-align: center;">ALLEN KEY 1 PC</p>	<p style="text-align: center;">WOOD DOWEL 18 PCS</p>	<p style="text-align: center;">ROUND HEAD BOLT 3 PCS</p>
<p style="text-align: center;">7</p> 	<p style="text-align: center;">8</p>  <p style="text-align: center;">$\varnothing 1/8" * 12\text{mm}$</p>	<p style="text-align: center;">9</p>  <p style="text-align: center;">$\varnothing 32 * 20\text{mm}$</p>
<p style="text-align: center;">PLATE 1 PC</p>	<p style="text-align: center;">FLAT HEAD SCREW 2 PCS</p>	<p style="text-align: center;">KNOB 3 PCS</p>

Kitchen Island with 2 Stools DA7867

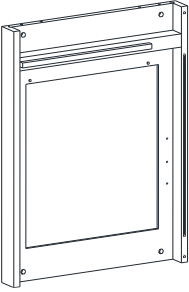
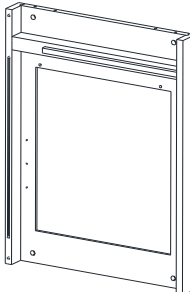




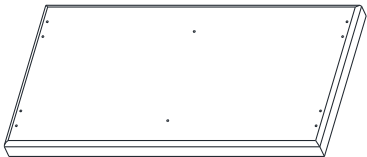
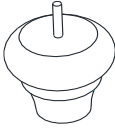
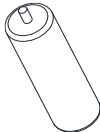
HARDWARE LIST

<p>10</p> 	<p>11</p>  <p style="text-align: center;">$\varnothing 5/32'' * 5/8''$</p>	<p>12</p> 
<p style="text-align: center;">DRAWER STOPPER 2 PCS</p>	<p style="text-align: center;">ROUND HEAD SCREW 8 PCS</p>	<p style="text-align: center;">SHELF SUPPORT 8 PCS</p>
<p>13</p>  <p style="text-align: center;">$\varnothing 1/4'' * 1/2''$</p>	<p>14</p>  <p style="text-align: center;">$\varnothing 1/4'' * 1''$</p>	<p>15</p>  <p style="text-align: center;">$\varnothing 1/8'' * 1/2''$</p>
<p style="text-align: center;">BOLT 34 PCS</p>	<p style="text-align: center;">BOLT 3 PCS</p>	<p style="text-align: center;">ROUND HEAD SCREW 2 PCS</p>

Kitchen Island with 2 Stools

DA7867

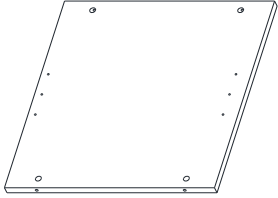
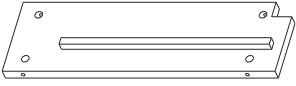


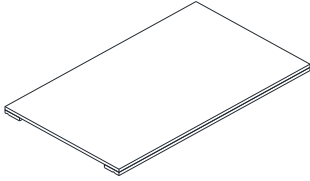
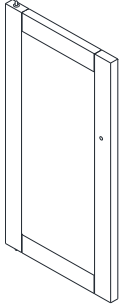
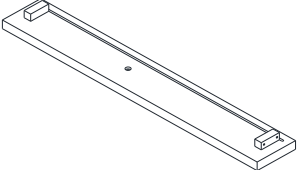

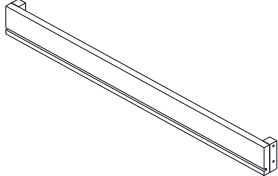
PARTS LIST

<p>A</p> 	<p>B</p> 	<p>C</p> 
<p>LEFT SIDE PANEL 1 PC</p>	<p>RIGHT SIDE PANEL 1 PC</p>	<p>UPPER RAIL 1 PC</p>
<p>D</p> 	<p>E</p> 	<p>F</p> 
<p>BACK PANEL 1 PC</p>	<p>BOTTOM RAIL 1 PC</p>	<p>MIDDLE PANEL 1 PC</p>
<p>G</p> 	<p>H</p> 	<p>I</p> 
<p>BOTTOM PANEL 1 PC</p>	<p>BUN FOOT 4 PCS</p>	<p>SUPPORT LEG 1 PC</p>

Kitchen Island with 2 Stools

DA7867

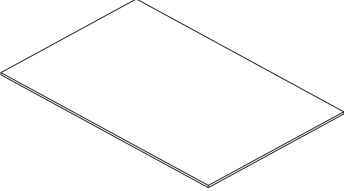

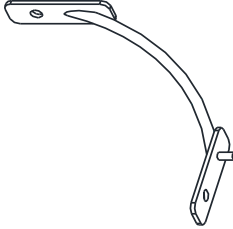
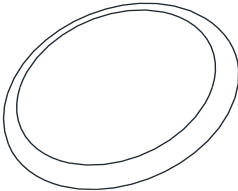
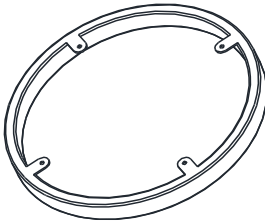
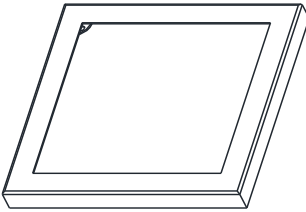

PARTS LIST

<p>J</p> 	<p>K</p> 	<p>L</p> 
<p style="text-align: center;">VERTICAL PANEL 1 PC</p>	<p style="text-align: center;">UPPER PANEL 1 PC</p>	<p style="text-align: center;">FRONT UPPER RAIL 1 PC</p>
<p>M</p> 	<p>N</p> 	<p>O</p> 
<p style="text-align: center;">TOP PANEL 1 PC</p>	<p style="text-align: center;">ADJUSTABLE SHELF 2 PCS</p>	<p style="text-align: center;">DOOR PANEL 1 PC</p>
<p>P</p> 	<p>Q</p> 	<p>R</p> 
<p style="text-align: center;">DRAWER FRONT 2 PCS</p>	<p style="text-align: center;">DRAWER SIDE 4 PCS</p>	<p style="text-align: center;">DRAWER BACK 2 PCS</p>

Kitchen Island with 2 Stools

DA7867

PARTS LIST

<p>S</p> 	<p>T</p> 	<p>U</p> 
<p style="text-align: center;">DRAWER BOTTOM 2 PCS</p>	<p style="text-align: center;">TOWEL RACK 1 PC</p>	<p style="text-align: center;">METAL SUPPORT 3 PCS</p>
<p>V</p> 	<p>W</p> 	<p>X</p> 
<p style="text-align: center;">SEAT BOARD 2 PCS</p>	<p style="text-align: center;">SEAT FRAME 2 PCS</p>	<p style="text-align: center;">STRETCHER FRAME 2 PCS</p>
<p>Y</p> 		
<p style="text-align: center;">LEG 8 PCS</p>		

Kitchen Island with 2 Stools

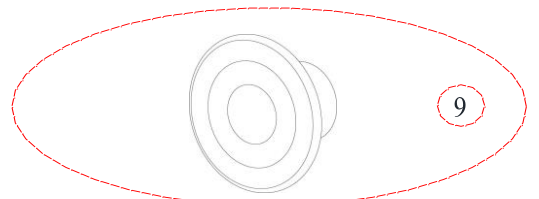
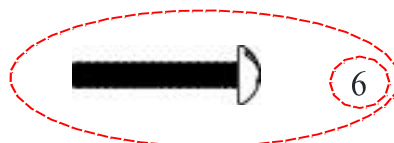
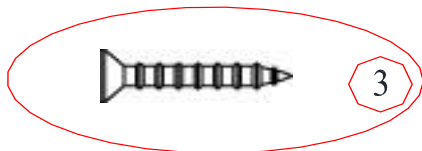
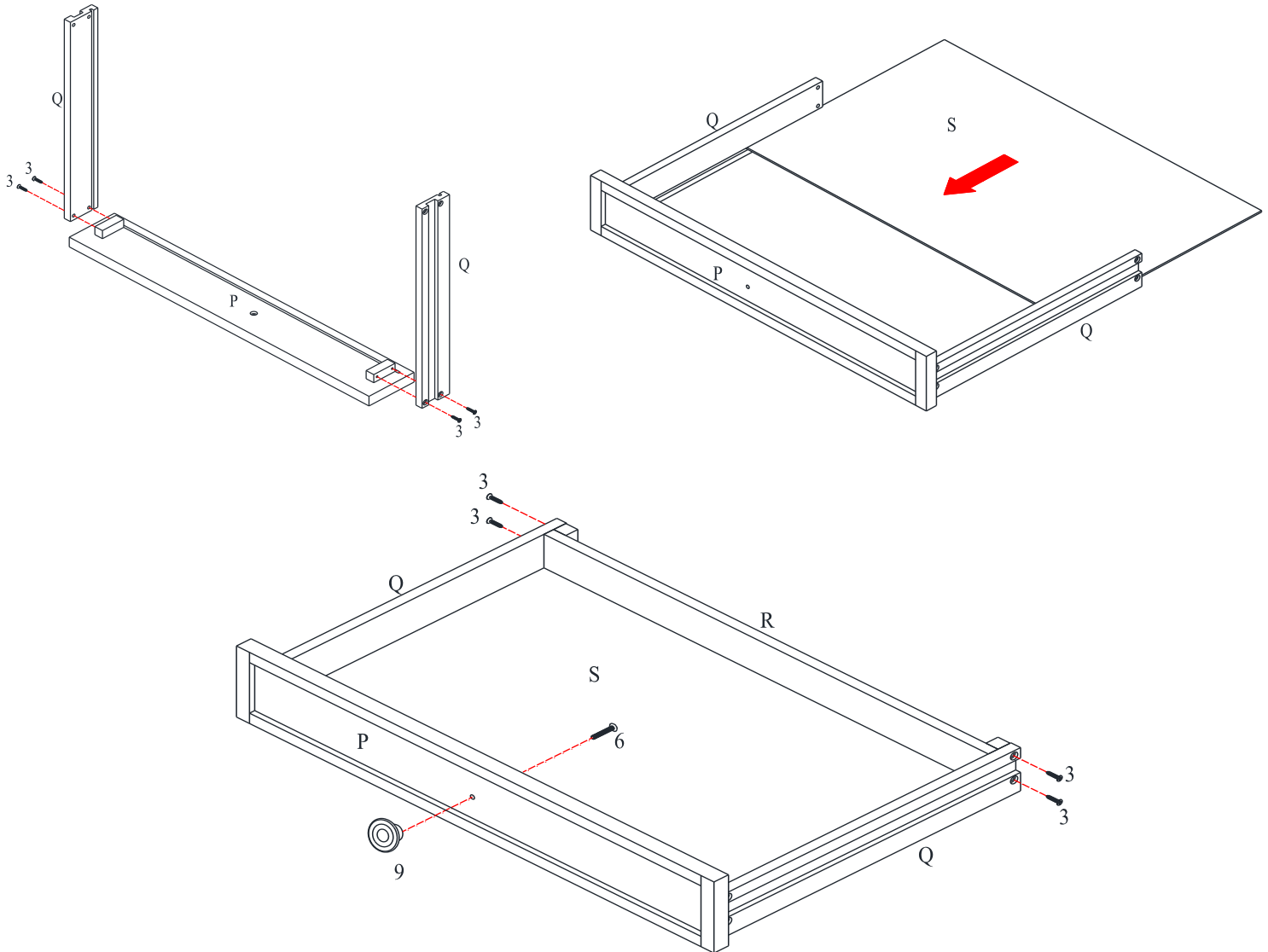
DA7867

STEP 1

Attach drawer sides (Q) to drawer front (P) with flat head screws (3). Slide drawer bottom (S) into the grooves of the drawer sides (Q) and drawer front (P).

Attach drawer back (R) to drawer sides (Q) with flat head screws (3). Make sure the drawer bottom (S) fit into the groove of the drawer back (R).

Attach knob (9) to drawer front (P) with bolt (6). Use Phillips head screwdriver (not included) to install the bolt (6) and screws (3).



Kitchen Island with 2 Stools

DA7867

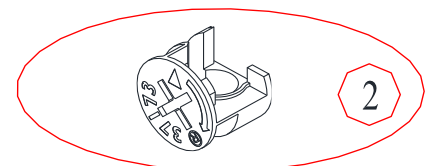
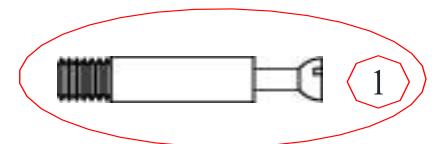
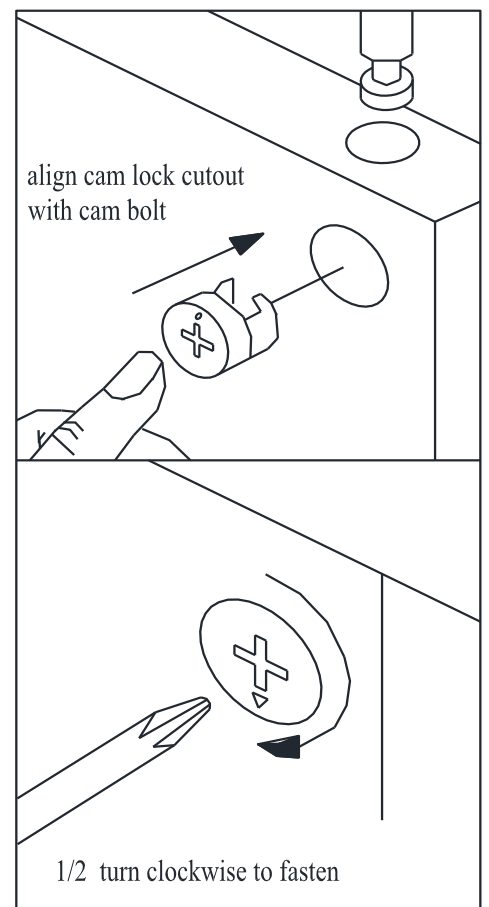
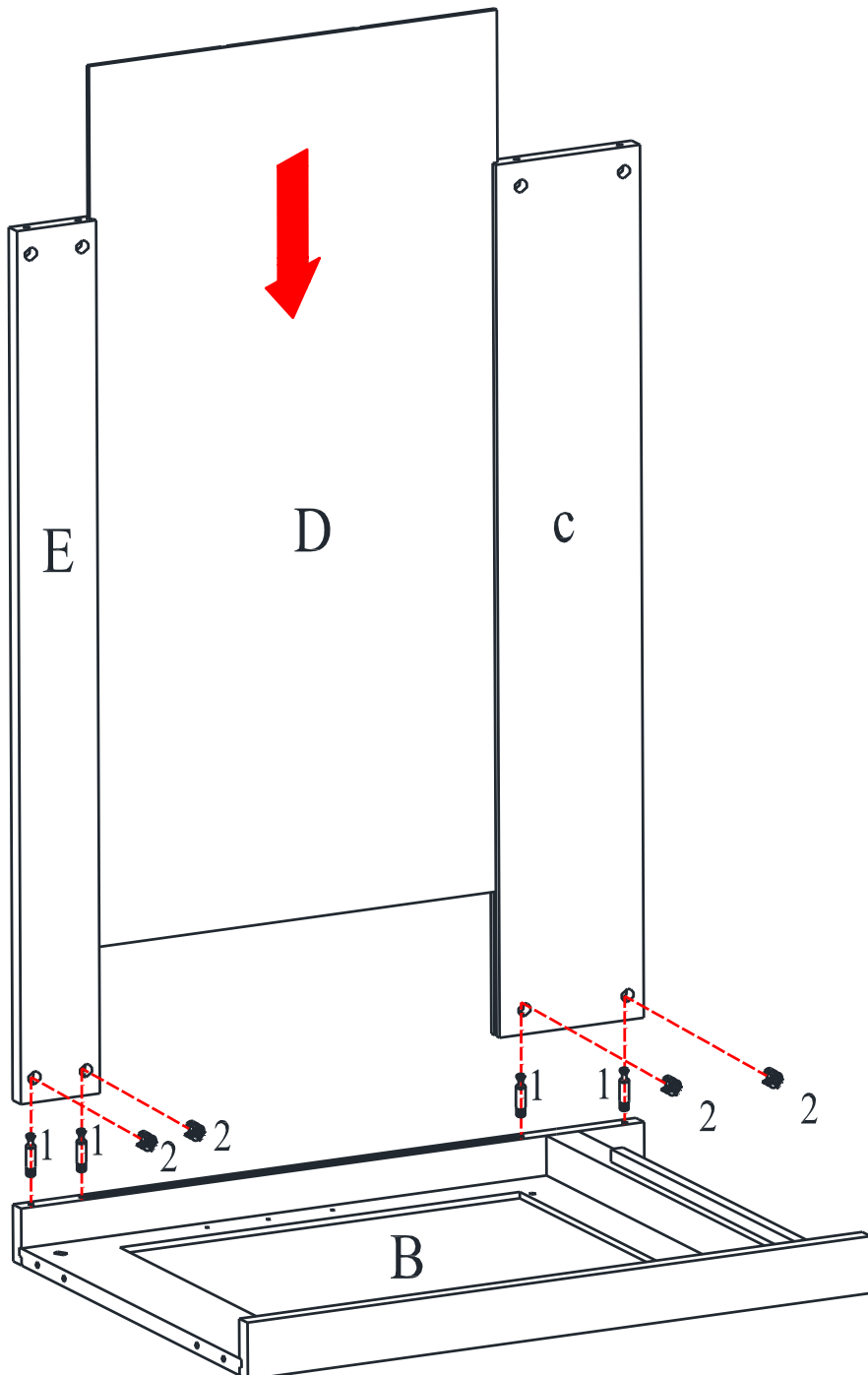
STEP 2

Insert cam bolts (1) into right side panel (B).

Insert cam locks (2) into the upper rail (C) and bottom rail (E) as shown

Attach upper rail (C) and bottom rail (E) to right side panel (B) and secure by rotating cam locks (2) 1/2-turn clockwise using Phillips head screwdriver (not included).

Slide back panel (D) into the grooves of the rails (C & E) and right side panel (B).



Kitchen Island with 2 Stools

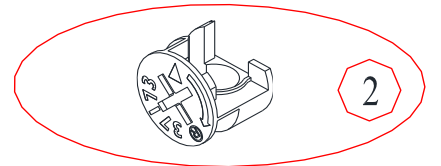
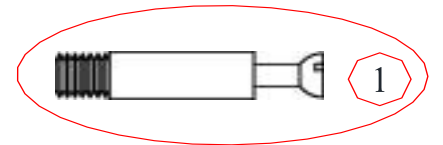
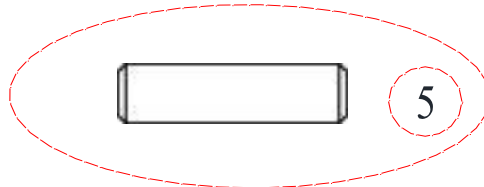
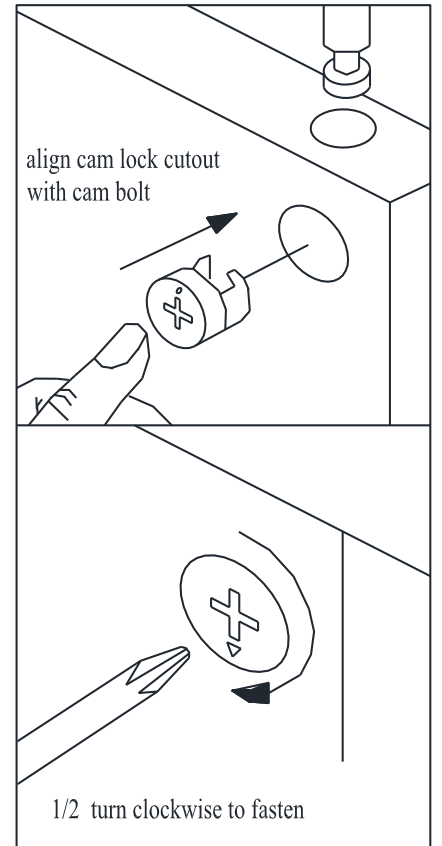
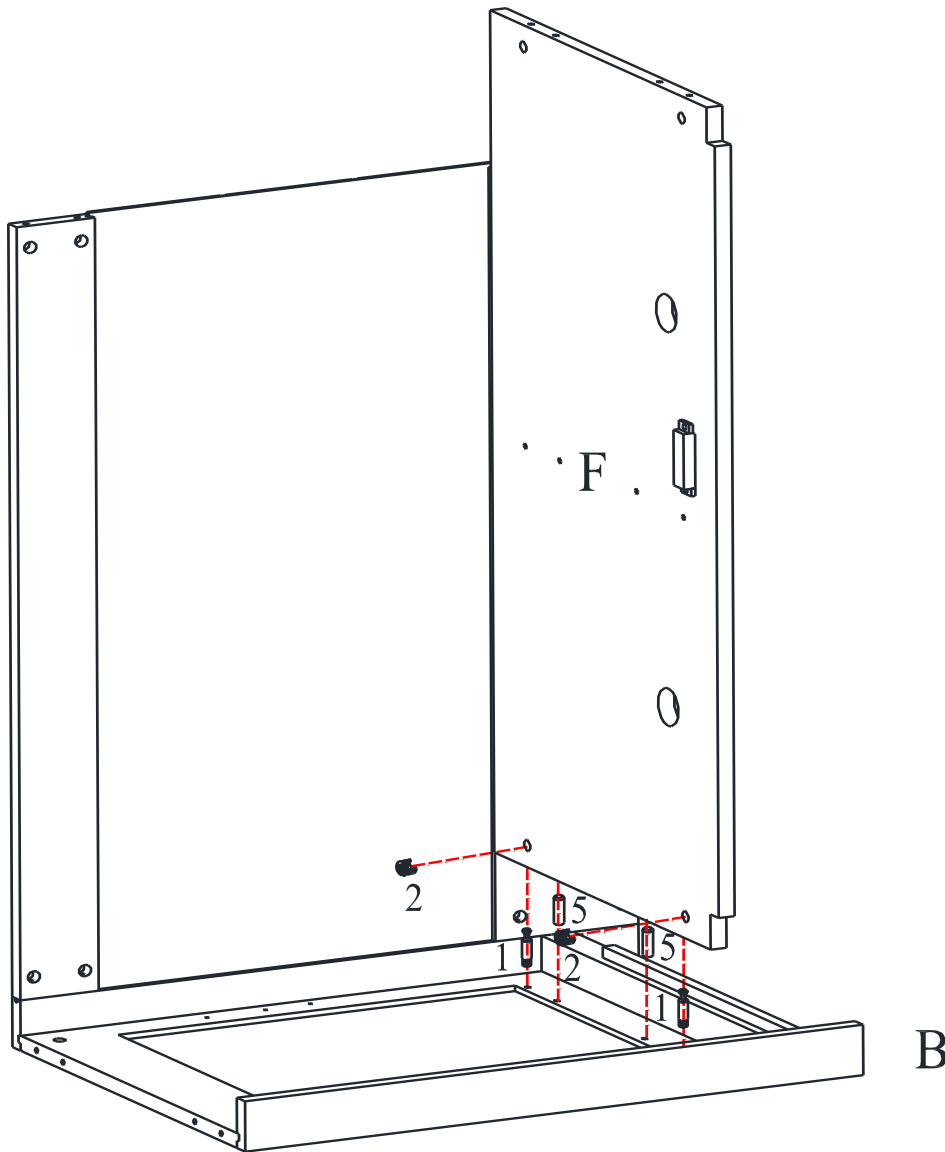
DA7867

STEP 3

Insert cam bolts (1) and wood dowels (5) into right side panel (B).

Insert cam locks (2) into the middle panel (F).

Attach middle panel (F) to right side panel (B) and secure by rotating cam locks (2) 1/2-turn clockwise using Phillips head screwdriver (not included).



Kitchen Island with 2 Stools

DA7867

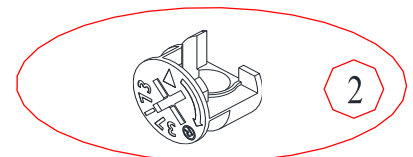
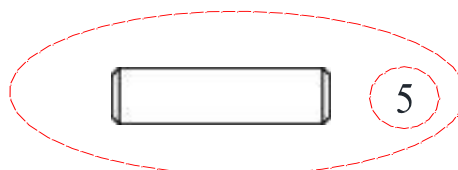
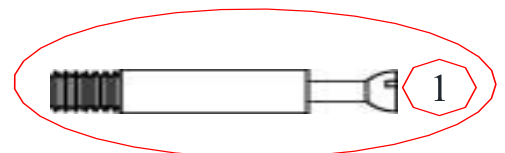
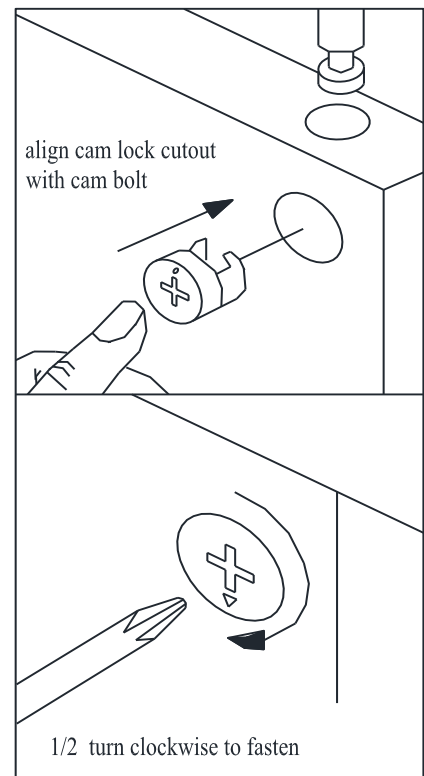
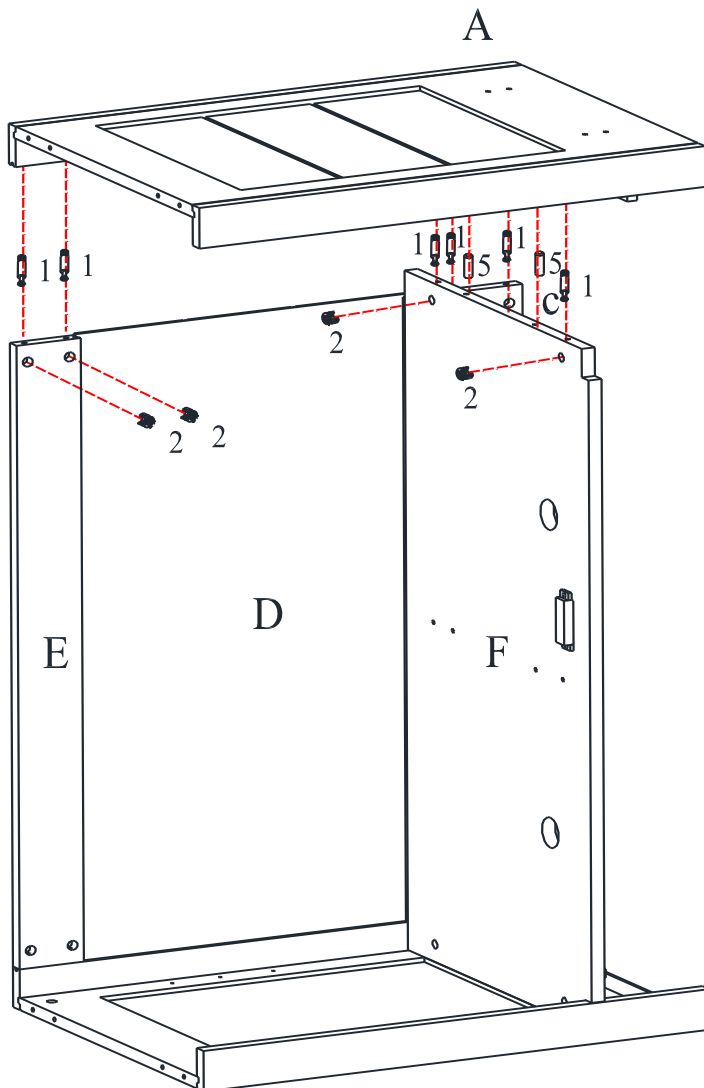
STEP 4

Insert cam bolts (1) into left side panel (A).

Insert cam locks (2) into the middle panel (F), upper rail (C) and bottom rail (E) as shown below.

Insert wood dowels (5) into the middle panel (F).

Attach the left side panel (A) to the assembled unit as shown below and secure by rotating cam locks (2) 1/2-turn clockwise using Phillips head screwdriver (not included).



Kitchen Island with 2 Stools

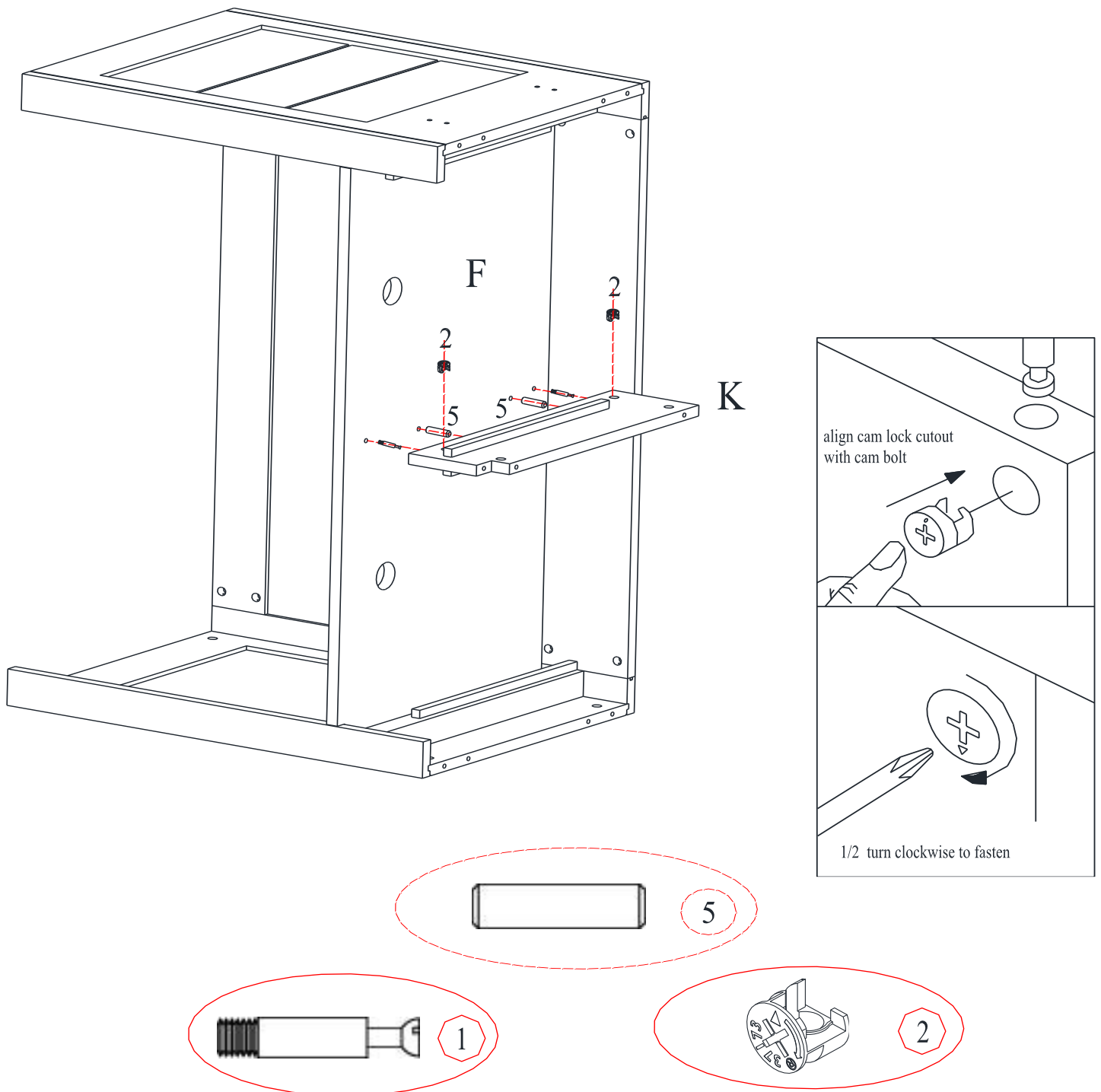
DA7867

STEP 5

Insert cam bolts (1) and wood dowels (5) into middle panel (F).

Insert cam locks (2) into the upper panel (K).

Attach upper panel (K) to the middle panel (F) and secure by rotating cam locks (2) 1/2-turn clockwise using Phillips head screwdriver (not included).



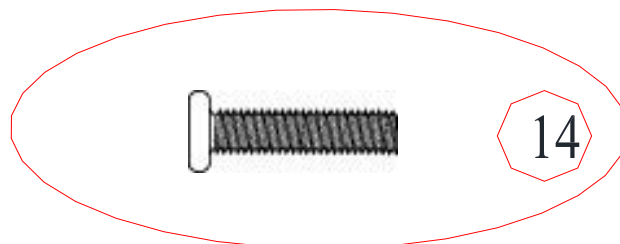
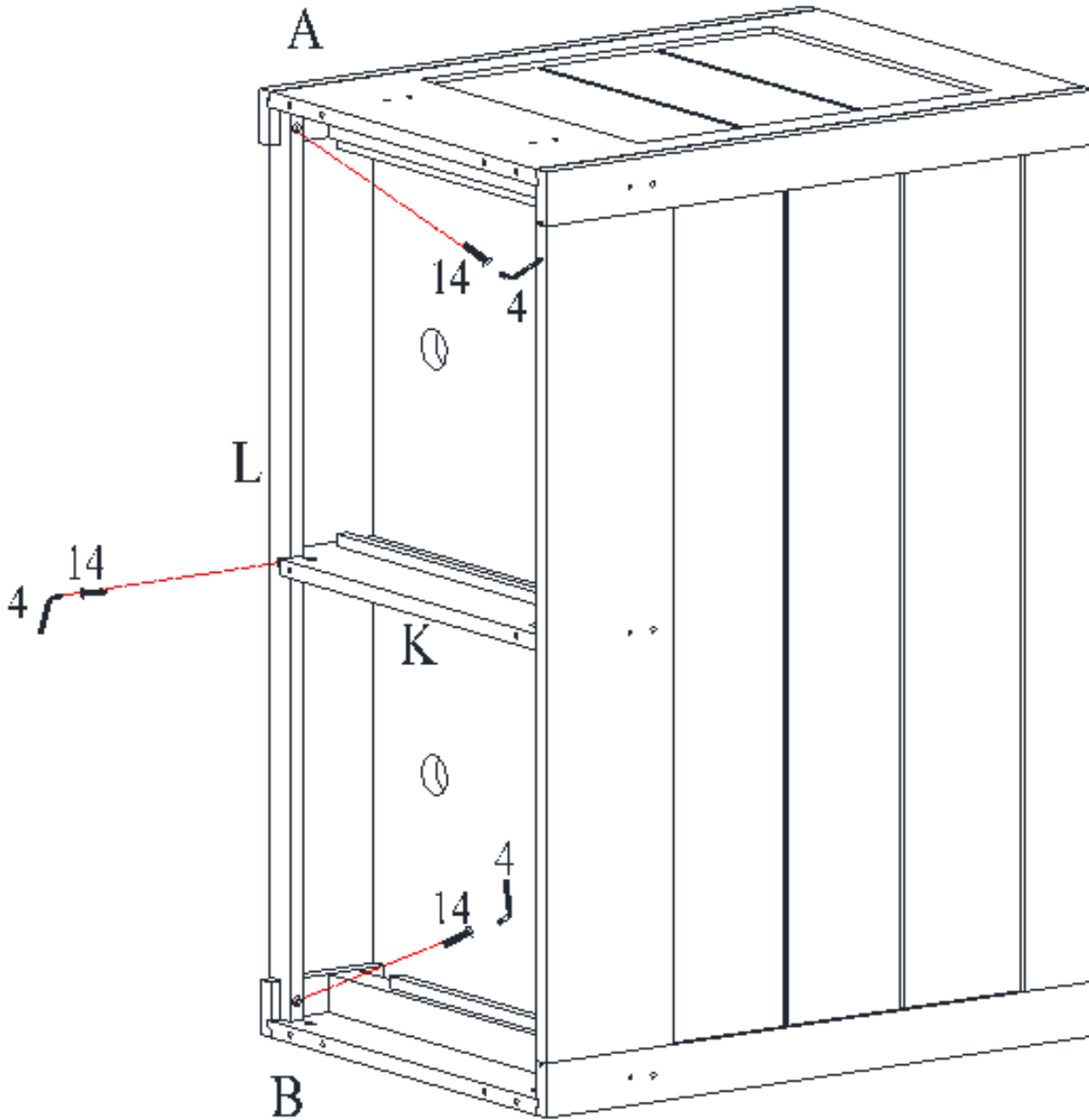
Kitchen Island with 2 Stools

DA7867

STEP 6

Attach front upper rail (L) to left and right side panels (A & B) and upper panel (K) with bolts (14) as shown.

Use Allen key (4) to tighten the bolts (14).



Kitchen Island with 2 Stools

DA7867

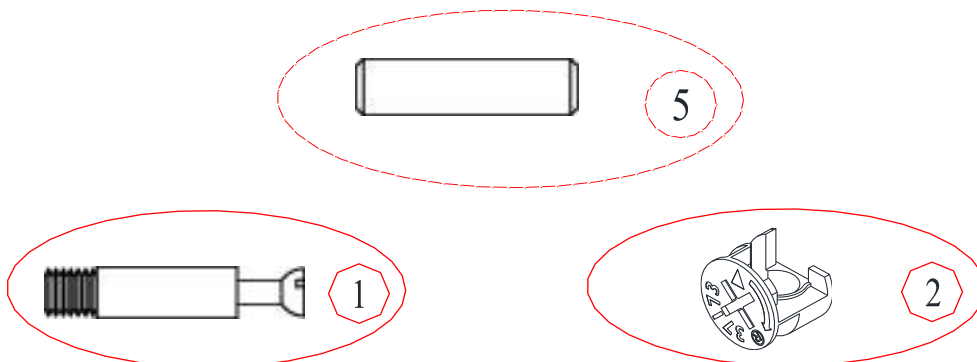
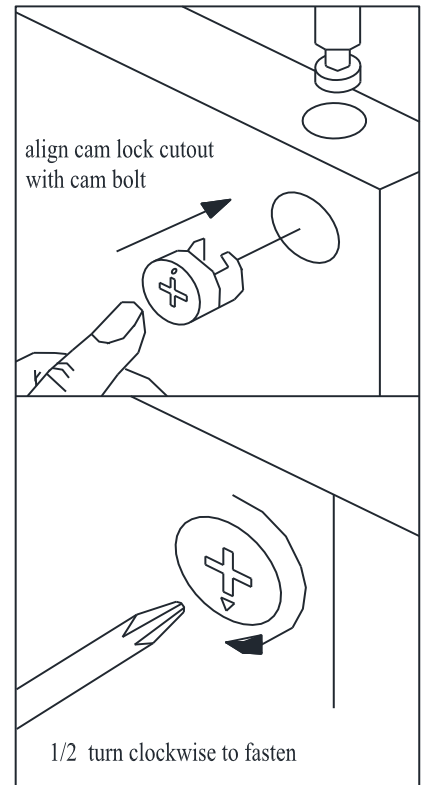
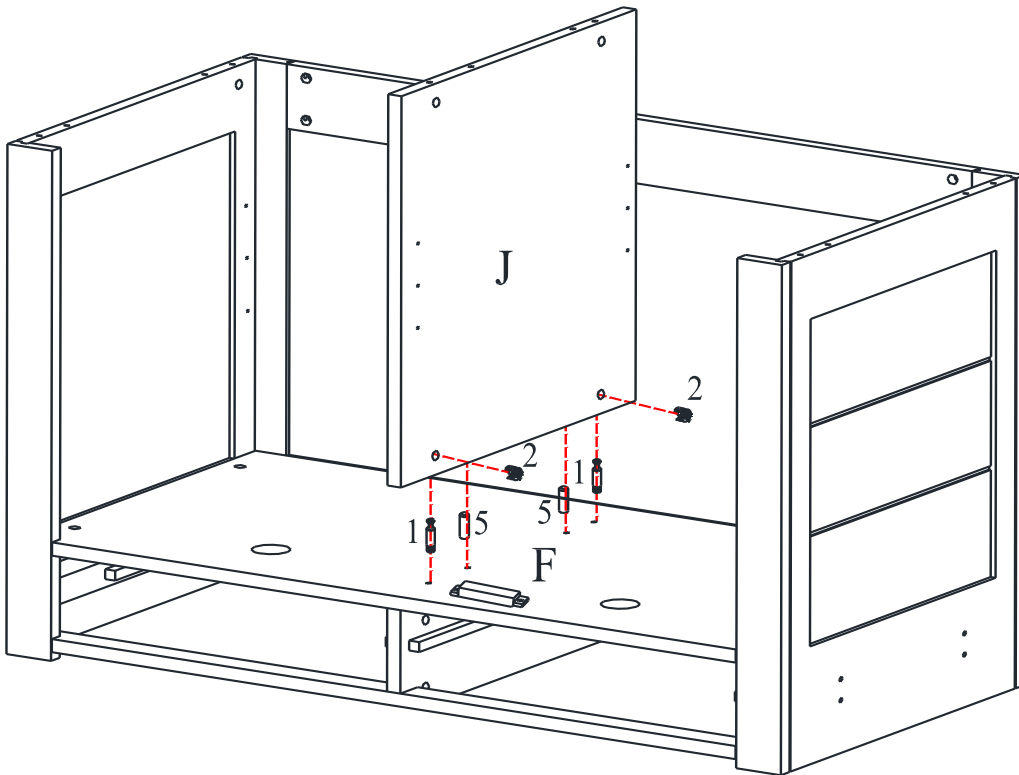
STEP 7

With the help of another person, turn the assembled unit upside down.

Insert cam bolts (1) and wood dowels (5) into middle panel (F) with a Phillips head screwdriver (not included).

Insert cam locks (2) into the vertical panel (J).

Attach vertical panel (J) to the middle panel (F) and secure by rotating cam locks (2) 1/2-turn clockwise using a Phillips head screwdriver (not included).



Kitchen Island with 2 Stools

DA7867

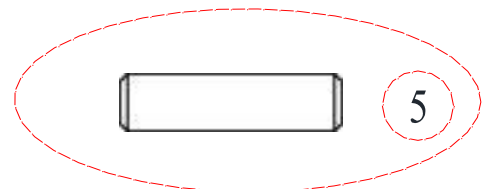
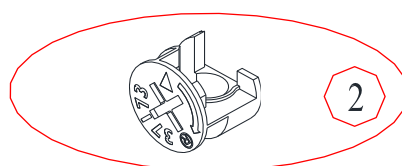
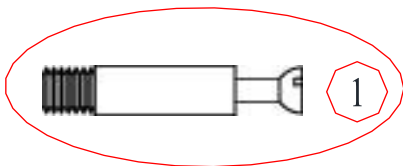
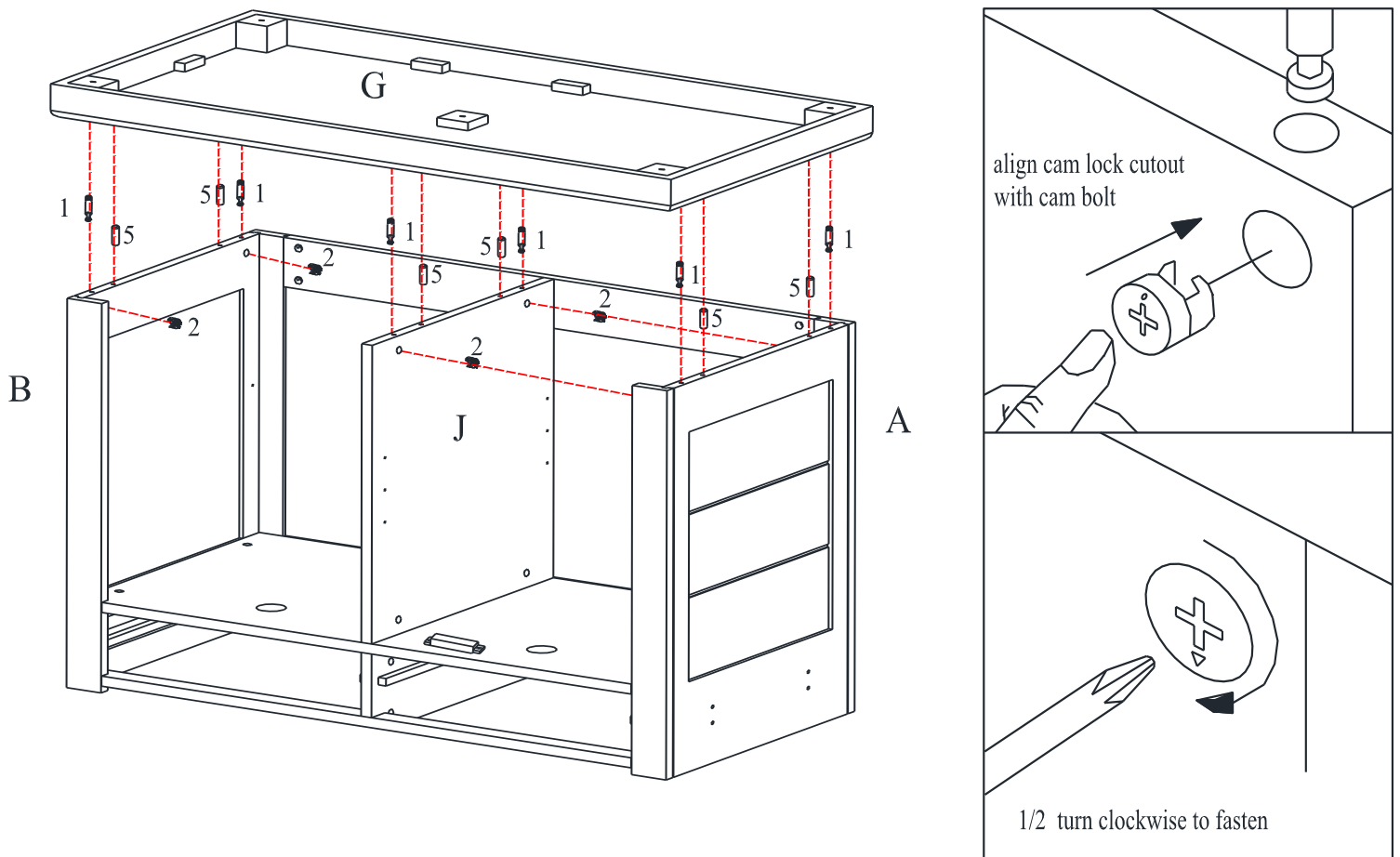
STEP 8

Insert cam bolts (1) into bottom panel (G) with a Phillips head screwdriver (not included.)

Insert wood dowels (5) into side panels (A & B) and the vertical panel (J).

Insert cam locks (2) into vertical panel (J), and side panels (A & B) as shown.

Attach bottom panel (G) to vertical panel (J) and side panels (A & B) and secure by rotating cam locks (2) 1/2-turn clockwise using Phillips head screwdriver (not included).



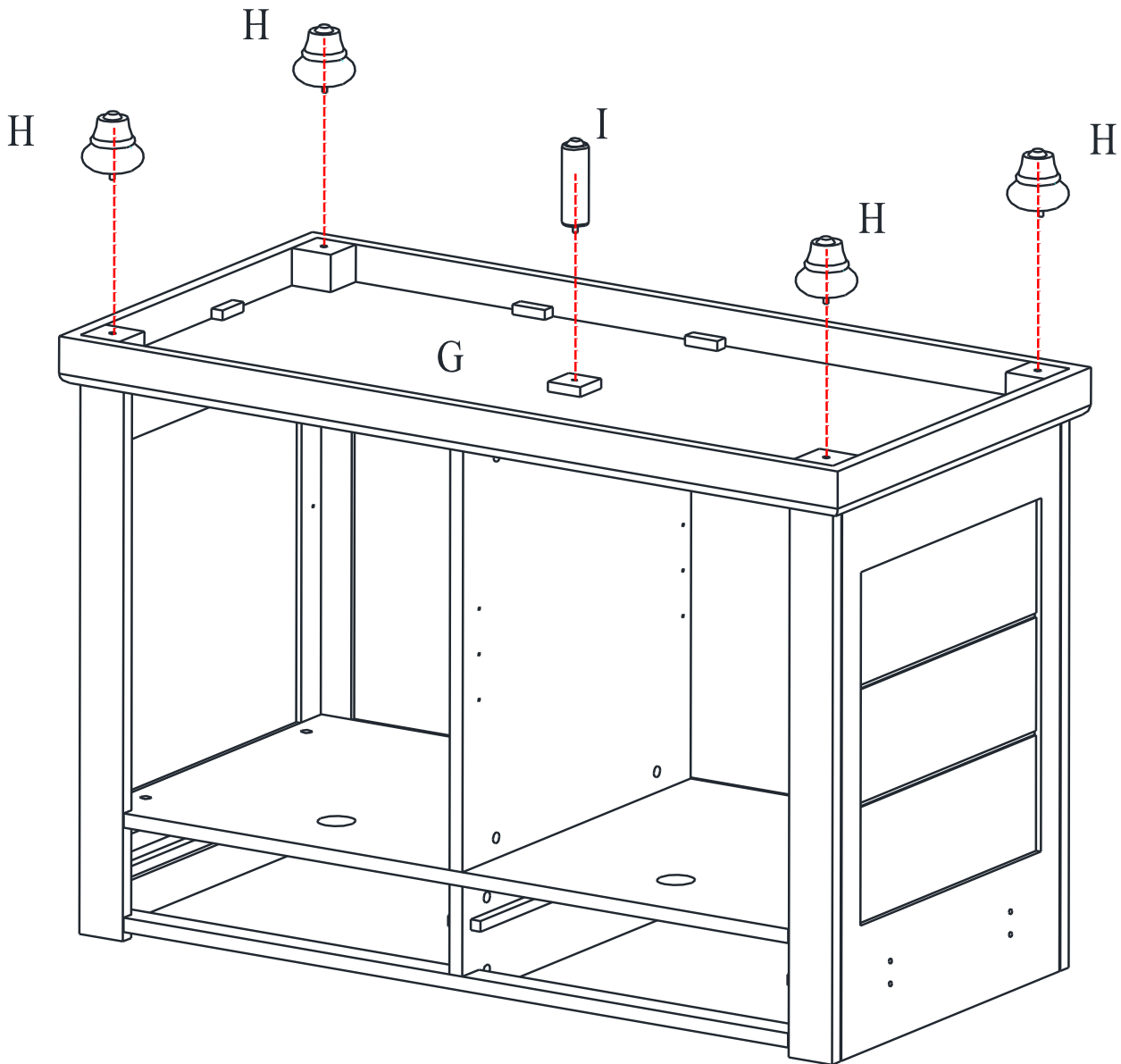
Kitchen Island with 2 Stools

DA7867

STEP 9

Install bun feet (H) and support leg (I) to bottom panel (G) by rotating clockwise.

With the help of another person, turn the unit upright.



Kitchen Island with 2 Stools

DA7867

STEP 10

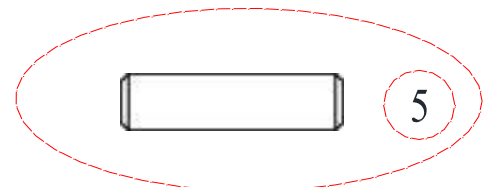
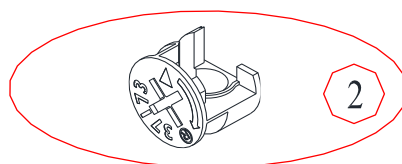
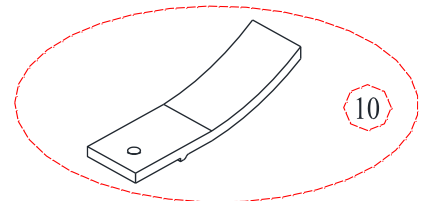
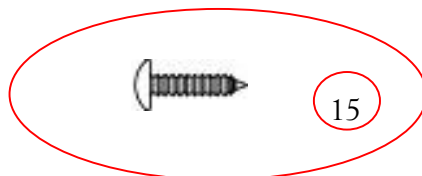
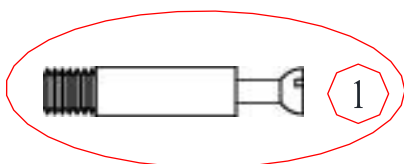
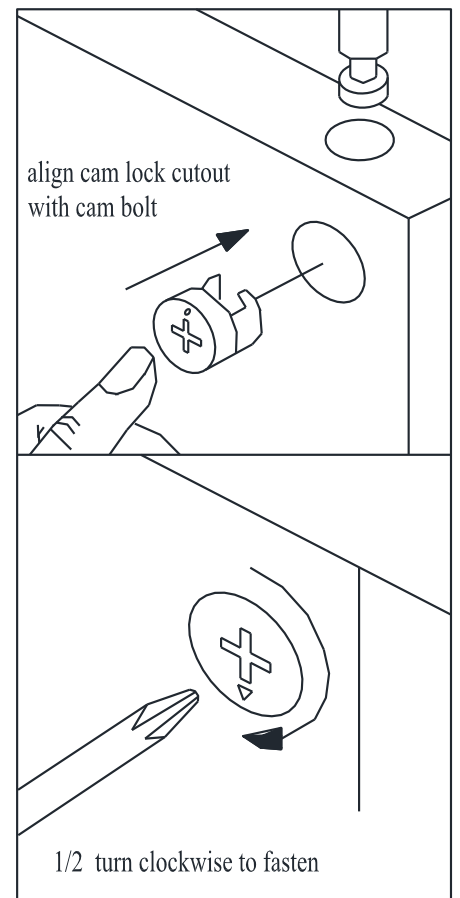
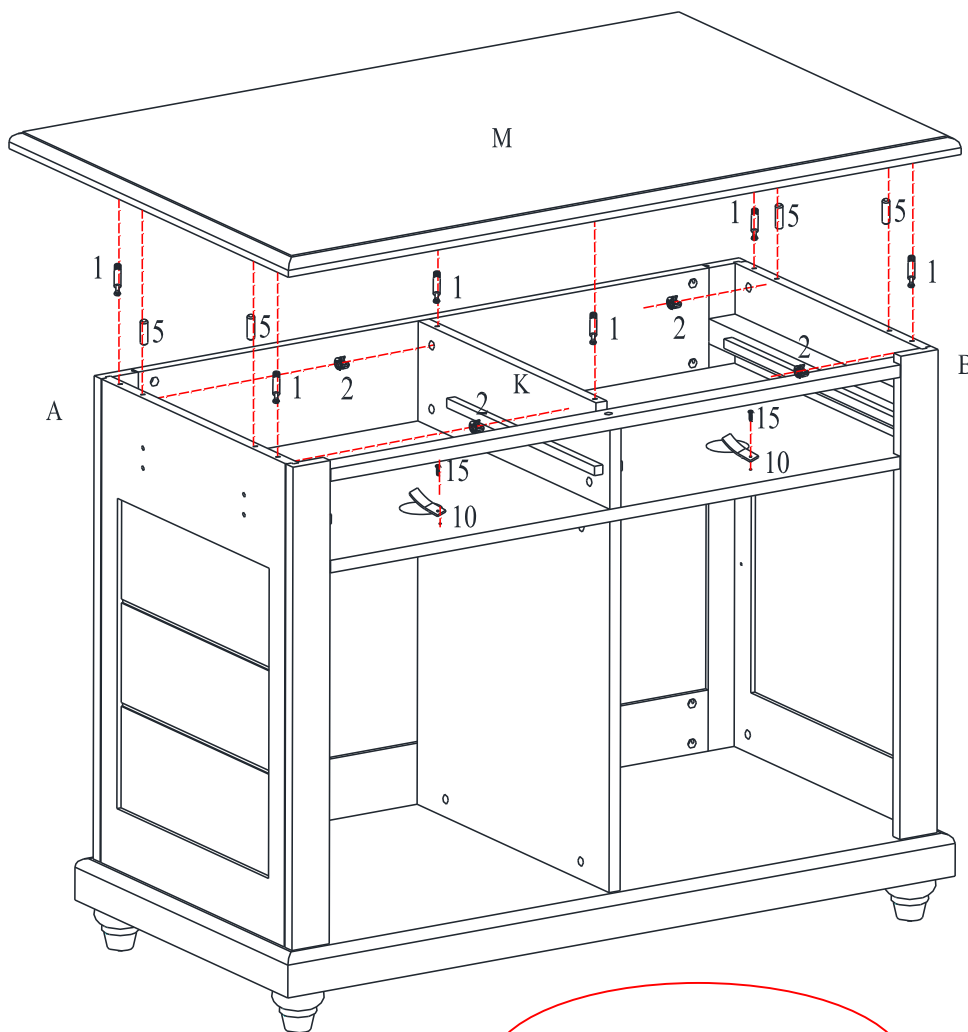
Attach drawer stops (10) to the middle panel (F) with round head screws (15) and a Phillips head screwdriver (not included).

Insert cam bolts (1) into top panel (M).

Insert wood dowels (5) into side panels (A & B).

Insert cam locks (2) into upper panel (K) and side panels (A & B) as shown.

Attach top panel (M) to the upper panel (K) and side panels (A & B) and secure by rotating cam locks (2) 1/2-turn clockwise using a Phillips head screwdriver (not included).



Kitchen Island with 2 Stools

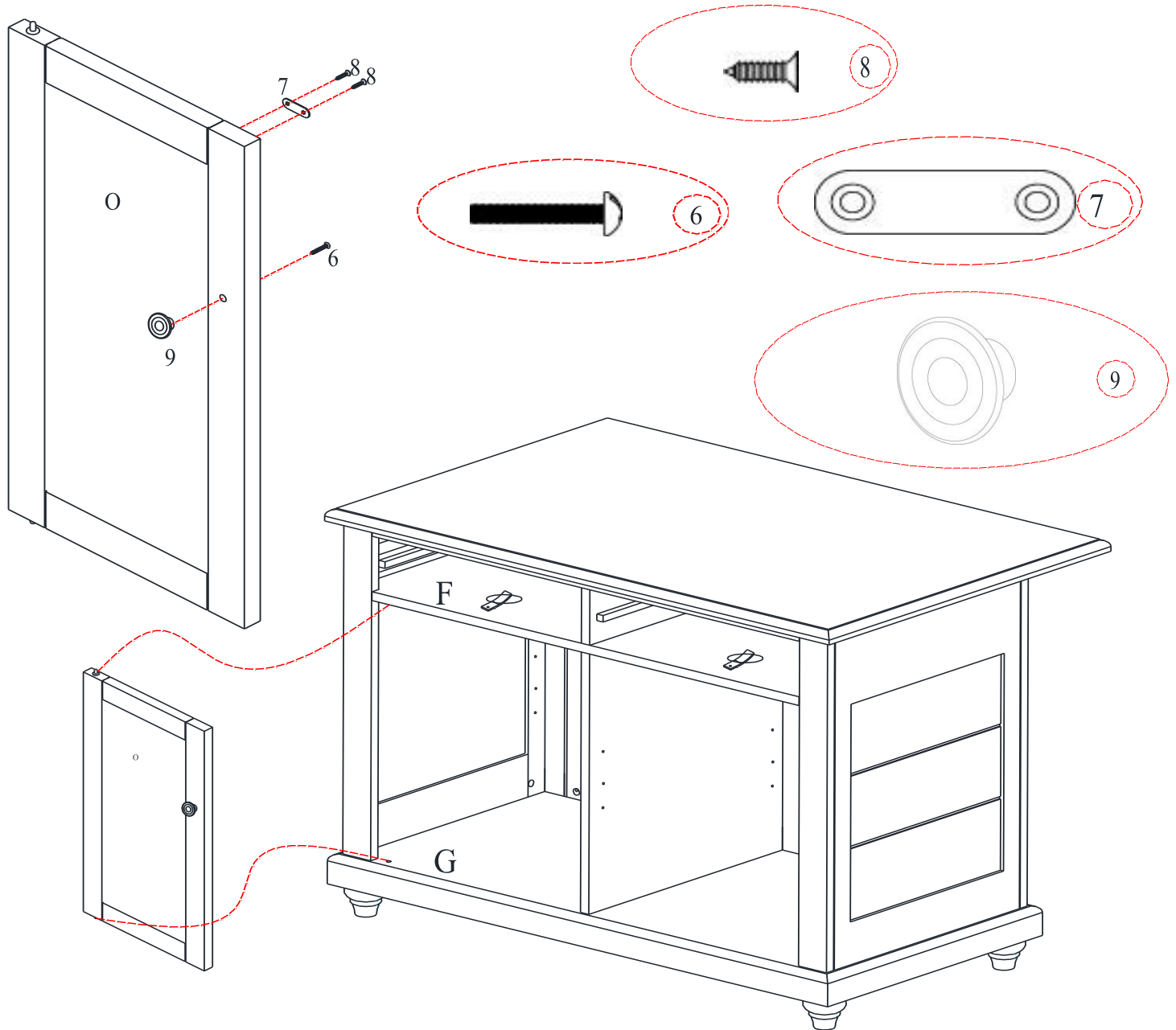
DA7867

STEP 11

Attach knob (9) to door panel (O) with bolt (6).

Attach metal plate (7) to door panel (O) with flat head screws (8).

Install door (O) by pushing down the door pins and inserting the door into the holes on middle panel (F) and bottom panel (G).



Kitchen Island with 2 Stools

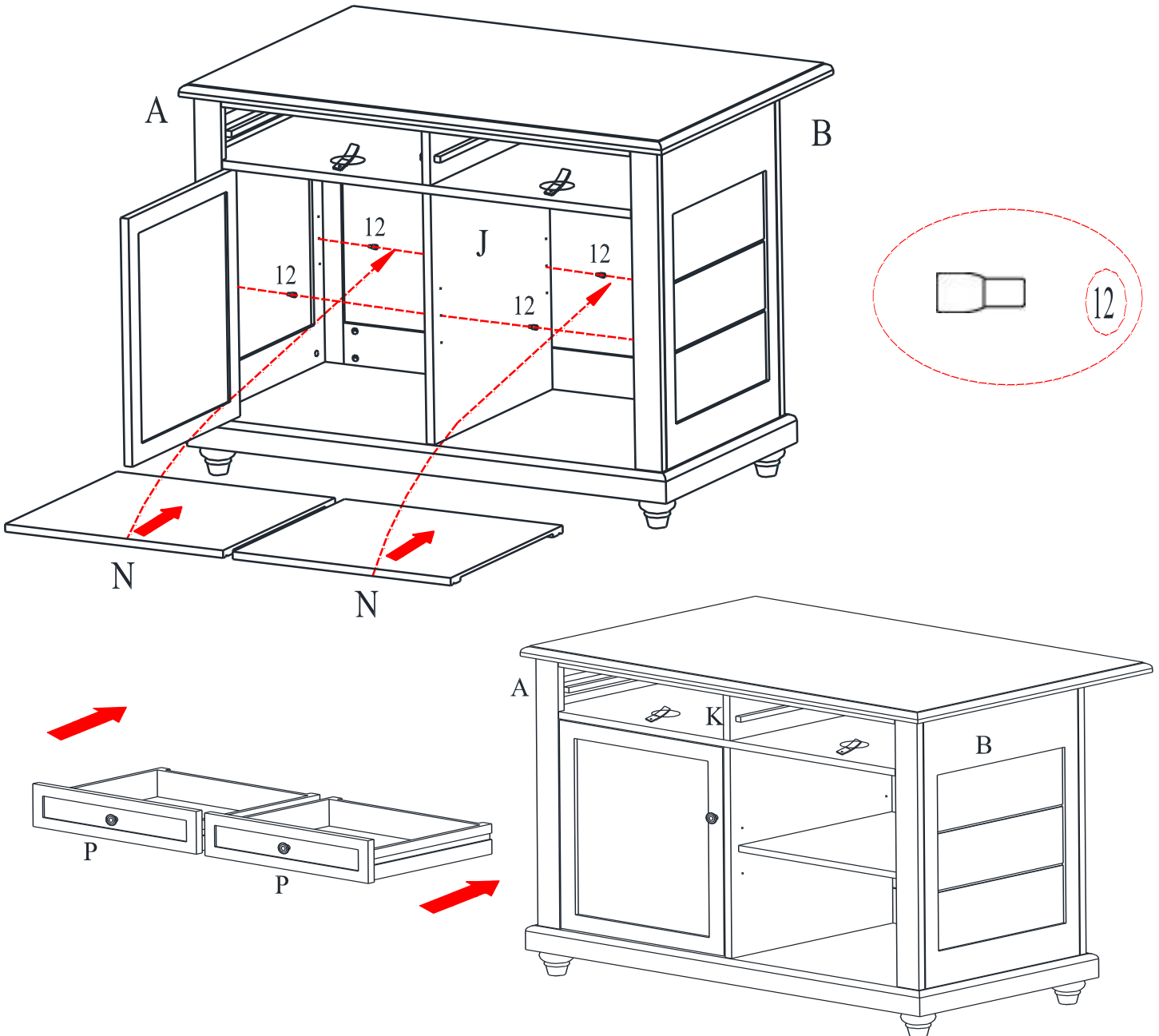
DA7867

STEP 12

Insert shelf supports (12) into the holes on the side panels (A & B) and vertical panel (J).

Place adjustable shelves (N) onto the shelf supports (12) as shown below.

Insert the previously assembled drawers into the unit.



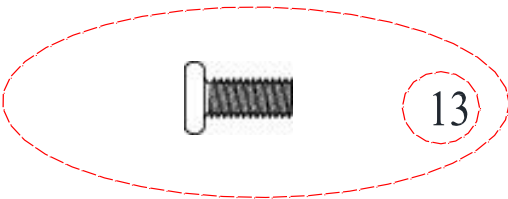
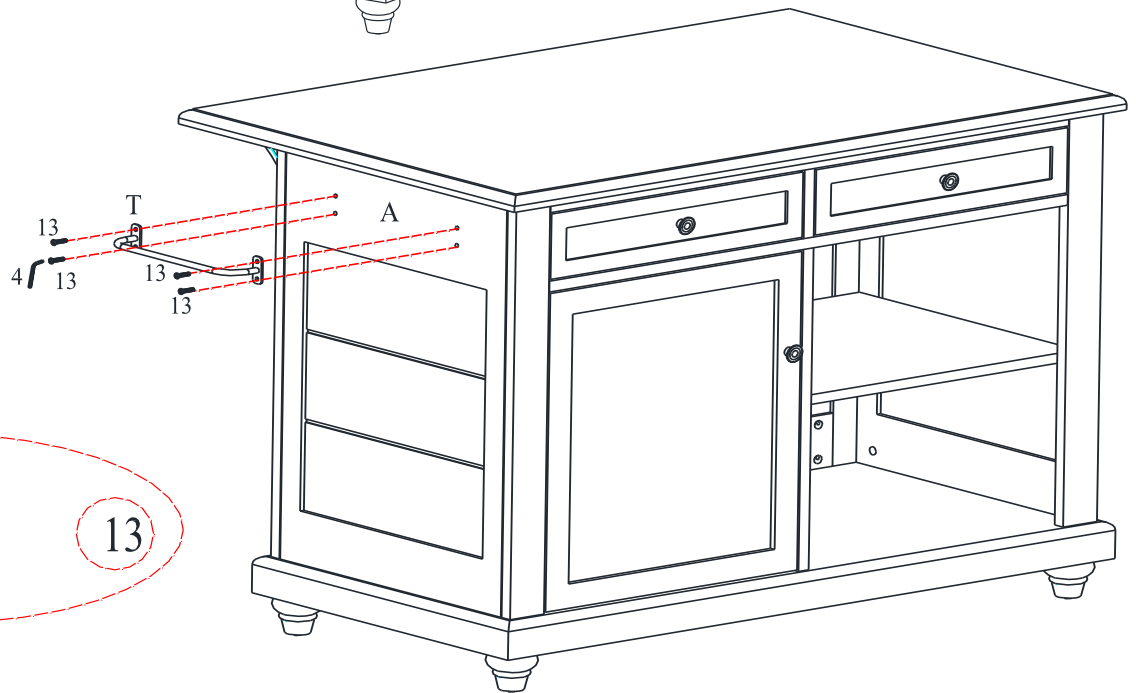
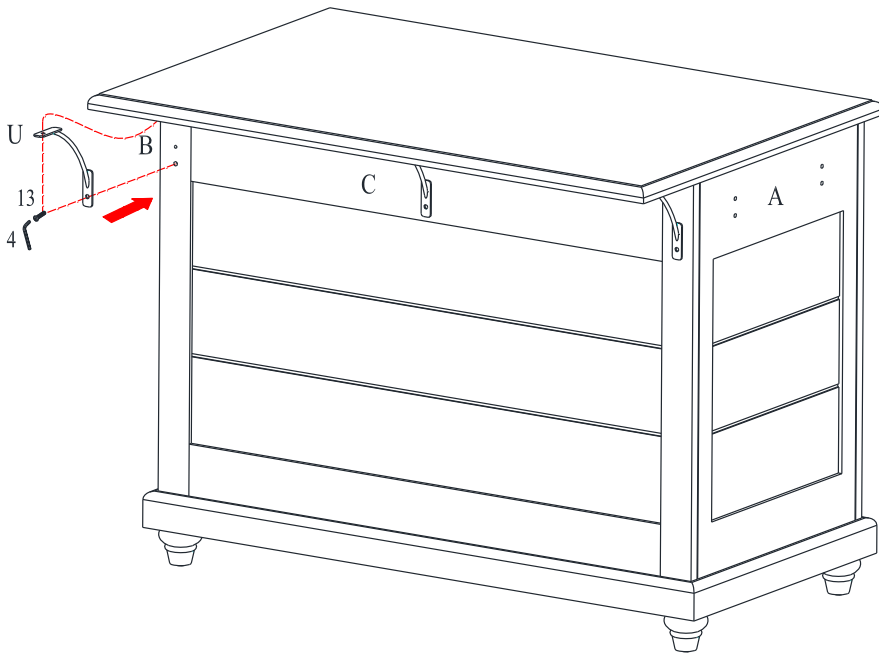
Kitchen Island with 2 Stools

DA7867

STEP 13

Attach metal support (U) to side panels (A & B) and upper rail (C) with bolts (13).
Attach towel rack (T) to left side panel (A) with bolts (13).

Use Allen key (4) to tighten the bolts (13).



Kitchen Island with 2 Stools

DA7867

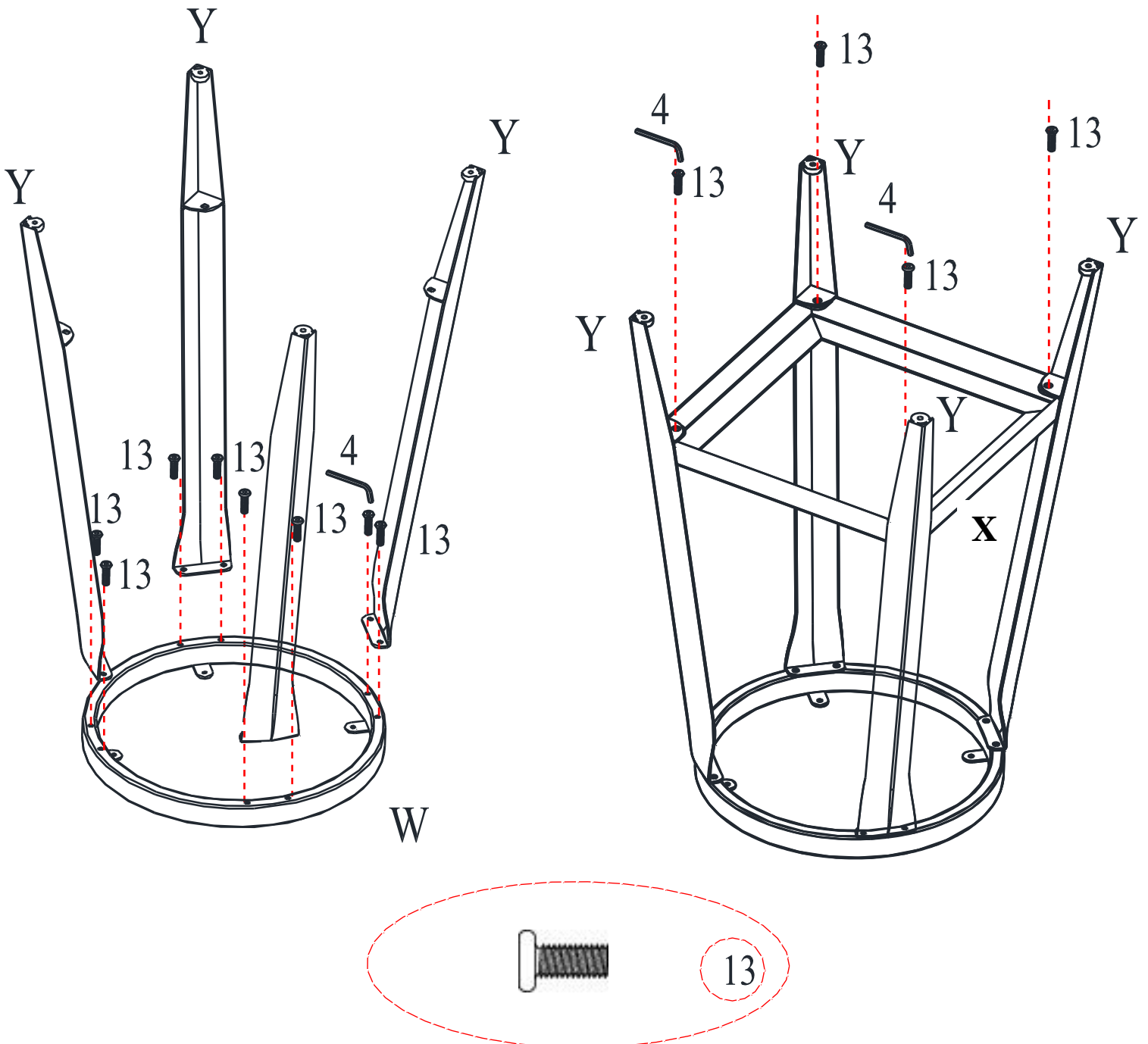
STEP 14

Attach legs (Y) to seat frame (W) with bolts (13). Leave the bolts loose.

Attach stretcher frame (X) to the legs (Y) with bolts (13).

Use Allen Key (4) to install the bolts (13).

NOTE: Do not fully tighten the bolts until stretcher frame (X) is attached to legs (Y).



Kitchen Island with 2 Stools

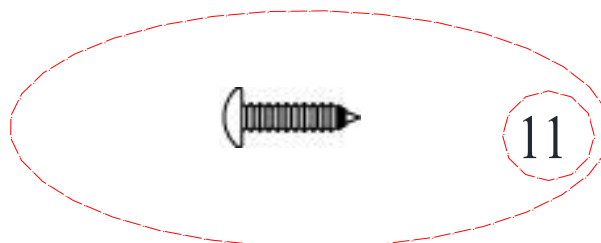
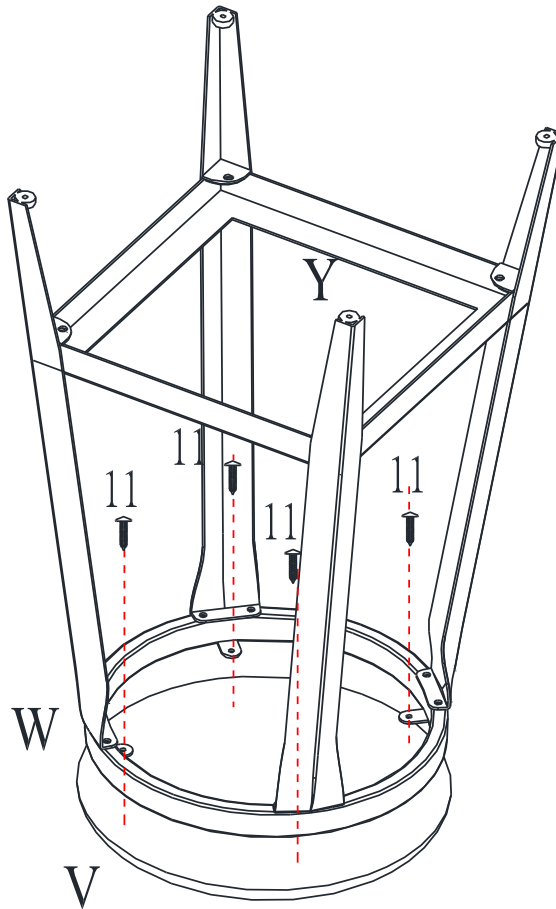
DA7867

STEP 15

Attach seat frame (W) to seat board (V) with round head screws (11).

NOTE: Screws (11) will make their own holes. Do not use power tools and do not over tighten the screws.

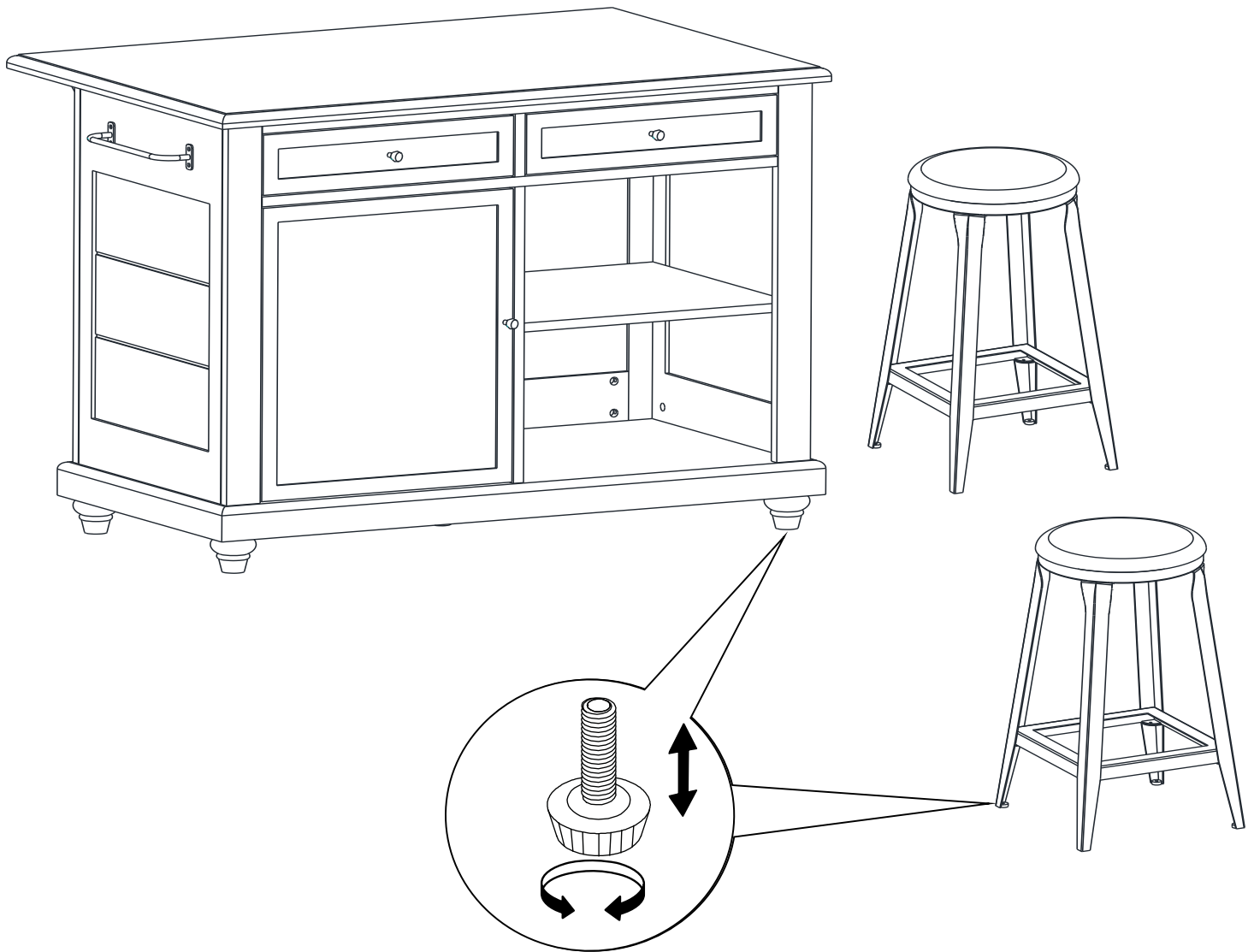
Repeat step 14 and 15 to assemble the other stool.



Kitchen Island with 2 Stools

DA7867


NOTE - Feet (H) and stool legs (Y) are equipped with adjustable levelers. Rotate the adjustable levelers to make sure the kitchen island and stools rest evenly on the floor.



adjustable leveler

Kitchen Island with 2 Stools

DA7867

 **CAUTION:** This unit is intended for use only with the products and/or maximum weights indicated. Use with other products and/or products heavier than the maximum weights indicated may result in instability or cause possible injury.

Product Maximum Weights:

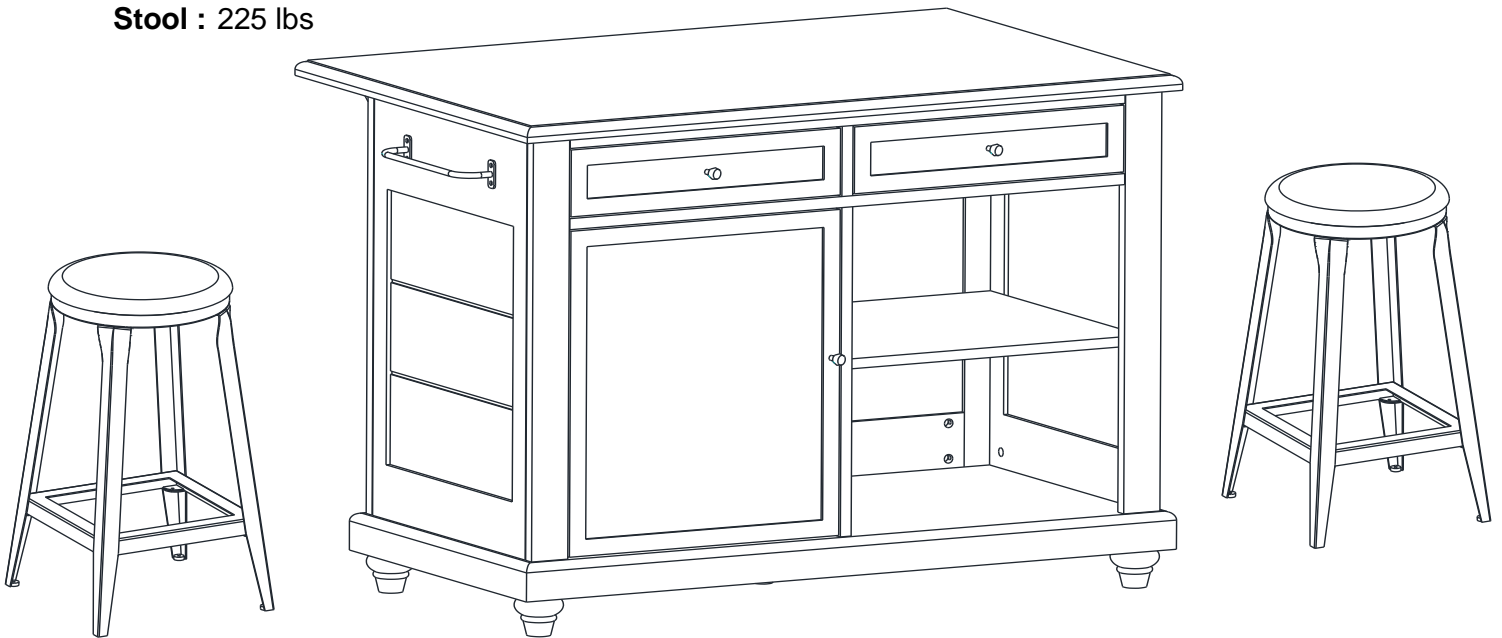
Top Panel : 100 lbs

Drawers : 15 lbs

Shelves : 20 lbs

Towel Rack : 5 lbs

Stool : 225 lbs



That's it ! You've finished assembling your kitchen island and stools .

DO NOT RETURN PRODUCT TO THE STORE.

If a part is missing or damaged, contact our customer service department. We will replace the part FREE of charge.



Tel #: 1-800-295-1980
E-Mail: das@dorel.com
Fax #: 514-353-7819

Customer Service

PLEASE DO NOT RETURN THIS PRODUCT TO THE STORE

PLEASE CONTACT CUSTOMER SERVICE REPRESENTATIVES AT THE FOLLOWING NUMBERS SHOULD THERE BE ANY MISSING OR DEFECTIVE PART(S).

Customer Service Phone Number 1-800-295-1980	Email: das@dorel.com
Customer Service Fax Number 514-353-7819	

Request Date:

Name:

Shipping Address:

Street & Number:

City & State:

Zip Code:

Day Time Phone Number:
(including area code)

Date & Place of Purchase:

Part(s) description and quantity: (Please be sure to list model number or SKN number)

Customer Service Representative Mailing Address:
Customer Service Department No. 413, 12345 Albert-Hudon Boulevard, Suite 100, Montreal, QC, Canada, H1G 3L1

Isla de cocina con 2 taburetes

DOREL
Living

Modelo No:

CODIGO UPC:

DA7867

0-65857-17806-7

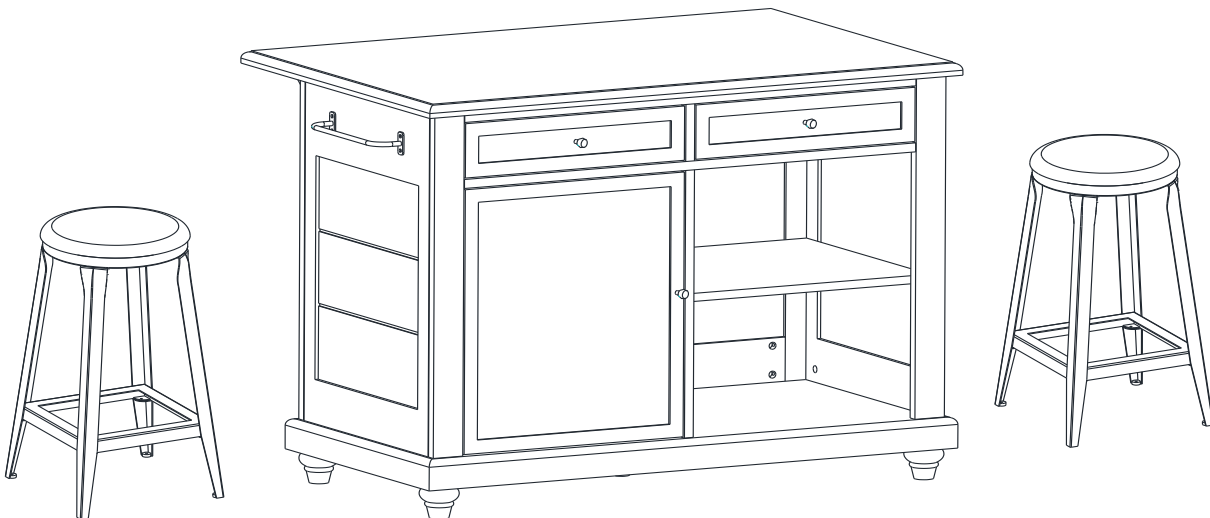
¡Felicitaciones por su nueva compra de un mueble! Los muebles de la línea **Dorel Living** han sido diseñados con la calidad, la comodidad y el estilo en mente. Estamos seguros de que este mueble le servirá por muchos años con su comodidad excepcional.

Le recomendamos que antes de comenzar a armarlo se familiarice con su nueva compra y tome unos minutos de su tiempo para leer este manual. Contiene información importante sobre nuestra garantía y consejos de cuidados para que su mueble siempre conserve su apariencia de nuevo.

Le damos mucha importancia a Dorel Asia a la satisfacción de nuestros clientes. Nuestros representantes están disponibles de lunes a viernes de 8 h a 17 h (hora del este) para responder a todas sus preguntas. Con el fin de acelerar el servicio, por favor tenga a mano el número de modelo cuando llame a nuestro número sin coste **1-800-295-1980** o por correo electrónico a **das@dorel.com**.

Para obtener más ideas de muebles inspirantes, visite nuestro sitio web en www.dorelliving.com

También puede mantenerse informado de todas las últimas tendencias suscribiéndose a nuestra página en [Facebook](#).



Fecha de compra: ____ / ____ / ____

Número de lote:
(en la caja)

NO DEVUELVA EL PRODUCTO A LA TIENDA. Si falta una pieza o está dañada, contacte nuestro departamento de servicio a la clientela. Reemplazaremos la pieza SIN cargo.

NOTA: ESTE MANUAL DE INSTRUCCIONES CONTIENE INFORMACIÓN DE SEGURIDAD **IMPORTANTE**. POR FAVOR, LÉALO Y CONSÉRVELO PARA CONSULTARLO EN EL FUTURO.

SERVICIO AL CLIENTE

Si faltan piezas o si tiene alguna pregunta sobre este producto, ¡comuníquese con nuestro representante de servicio!



LLAME AL 1-800-295-1980

También puede pedir piezas escribiendo a la siguiente dirección. Por favor incluya el número de modelo, color y una descripción detallada de la pieza.

Departamento de Servicio al Cliente No. 413
12345 Albert-Hudon Boulevard, Suite 100
Montreal, Quebec
Canada H1G 3L1

CORREO ELECTRONICO: das@dorel.com

NOTA

- * Antes de comenzar a ensamblar el producto, asegúrese de identificar todas las piezas y componentes
- * Ármela sobre una superficie suave y lisa para evitar dañar el pulido del producto.
- * No utilice la unidad si está dañada o rota.
- * No utilice herramientas eléctricas.
- * PRECAUCION: Debe ser armada por un adulto.
- * Se necesitan dos personas para armar el producto.
- * Tiempo estimado para armarla: 60 minutos.
- * Se necesita un destornillador en cruz para armarla (no incluido).

CUIDADO Y LIMPIEZA

Quítele el polvo regularmente con un paño limpio y seco para evitar que haya acumulación. De vez en cuando se puede usar un paño húmedo para limpiar la superficie. Séquelo inmediatamente. No utilice productos abrasivos que puedan dañar el lustre. La exposición excesiva a la luz solar y a cambios extremos de temperatura y humedad puede dañar la madera del mueble.

MANTENIMIENTO

Verifique los pernos y tornillos periódicamente y ajústelos si es necesario.

GARANTÍA LIMITADA

Dorel garantiza que el producto está libre de defectos de material y mano de obra y se compromete a remediar cualquier defecto de este tipo. Esta garantía cubre 1 año a partir de la fecha de compra original. Esta garantía es válida solamente con presentación de una prueba de compra. Se limita a la reparación o reemplazo de componentes defectuosos del mueble y no incluye ningún trabajo de armado. Esta garantía no se aplica a ningún producto que haya sido mal armado, sometido a mal uso o abuso, o que haya sido alterado o reparado de cualquier manera. Esta garantía le da las derechos legales específicas y usted puede también tener otras derechos que varíen de estado a estado.


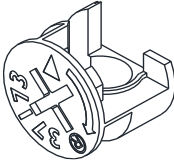
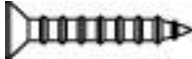
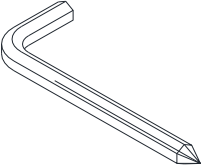



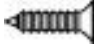
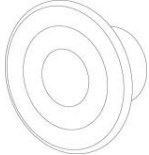


ADVERTENCIA: Si este producto está dañado y/o ciertas piezas faltan o están rotas, NO LO USE.

Isla de cocina con 2 taburetes

DA7867

LISTA DE ACCESORIOS

<p>1</p> 	<p>2</p> 	<p>3</p>  <p>Ø5/32"*1"</p>
<p>PERNO DE LEVA 28 PCS</p>	<p>SEGURO DE LEVA 28 PCS</p>	<p>TORNILLO DE CABEZA PLANA 16 PCS</p>
<p>4</p>  <p>M4</p>	<p>5</p>  <p>Ø8*30mm</p>	<p>6</p>  <p>Ø5/32"*7/8"</p>
<p>LLAVE ALLEN 1 PC</p>	<p>CLAVIJA DE MADERA 18 PCS</p>	<p>PERNO DE CABEZA REDONDA 3 PCS</p>
<p>7</p> 	<p>8</p>  <p>Ø1/8"x12mm</p>	<p>9</p>  <p>Ø32*20mm</p>
<p>PLACA 1 PC</p>	<p>TORNILLO DE CABEZA PLANA 2 PCS</p>	<p>POMO 3 PCS</p>

Isla de cocina con 2 taburetes DA7867

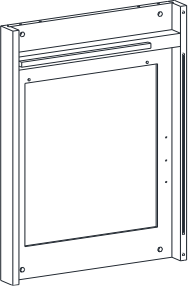
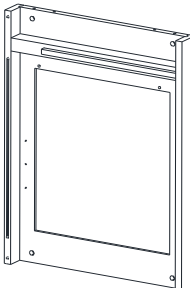




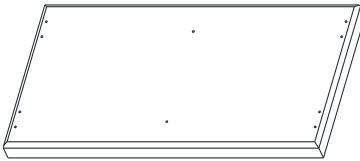
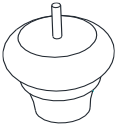
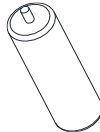
LISTA DE ACCESORIOS

10		11	 $\varnothing 5/32'' * 5/8''$	12	
TOPE DE CAJÓN 2 PCS		TORNILLO DE CABEZA REDONDA 8 PCS		SOPORTE DE ESTANTE 8 PCS	
13	 $\varnothing 1/4'' * 1/2''$	14	 $\varnothing 1/4'' * 1''$	15	 $\varnothing 1/8'' * 1/2''$
PERNO 34 PCS		PERNO 3 PCS		TORNILLO DE CABEZA REDONDA 2 PCS	

Isla de cocina con 2 taburetes

DA7867

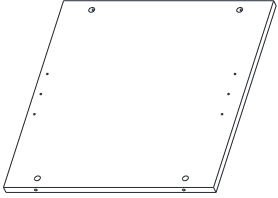
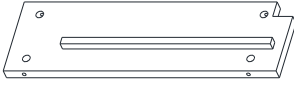


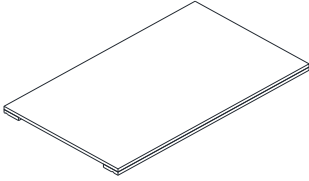
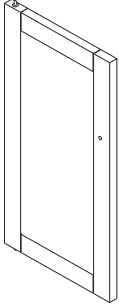
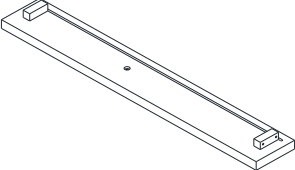

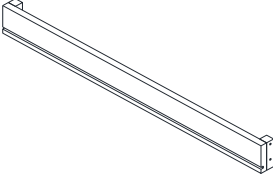
LISTA DE PIEZAS

A 	B 	C 
LADO IZQUIERDO 1 PC	LADO DERECHO 1 PC	LARGUERO SUPERIOR 1 PC
D 	E 	F 
PANEL POSTERIOR 1 PC	LARGUERO INFERIOR 1 PC	PANEL CENTRAL 1 PC
G 	H 	I 
PANEL INFERIOR 1 PC	PATA CEBOLLA 4 PCS	PATA DE SOPORTE 1 PC

Isla de cocina con 2 taburetes

DA7867

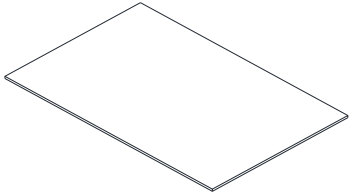

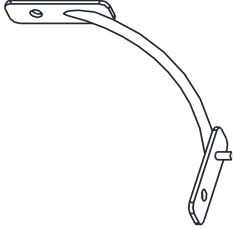
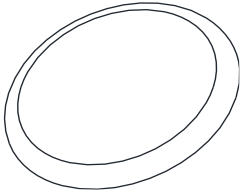
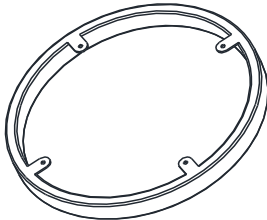
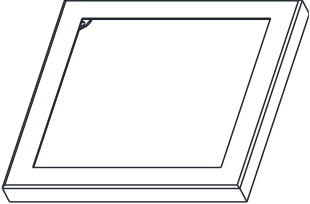

LISTA DE PIEZAS

<p>J</p> 	<p>K</p> 	<p>L</p> 
<p>PANEL VERTICAL 1 PC</p>	<p>PANEL SUPERIOR 1 PC</p>	<p>SOPORTE SUPERIOR ANTERIOR 1 PC</p>
<p>M</p> 	<p>N</p> 	<p>O</p> 
<p>TAPA DE LA ISLA 1 PC</p>	<p>ESTANTE AJUSTABLE 2 PCS</p>	<p>PUERTA 1 PC</p>
<p>P</p> 	<p>Q</p> 	<p>R</p> 
<p>FRENTE DE CAJÓN 2 PCS</p>	<p>LADO DE CAJÓN 4 PCS</p>	<p>LADO POSTERIOR CAJÓN 2 PCS</p>

Isla de cocina con 2 taburetes

DA7867

LISTA DE PIEZAS

S 	T 	U 
FONDO DE CAJÓN 2 PCS	TOALLERO 1 PC	SOPORTE DE METAL 3 PCS
V 	W 	X 
ASIENTO 2 PCS	CUADRO DE ASIENTO 2 PCS	CUADRO TENSOR 2 PCS
Y 		
PATA 8 PCS		

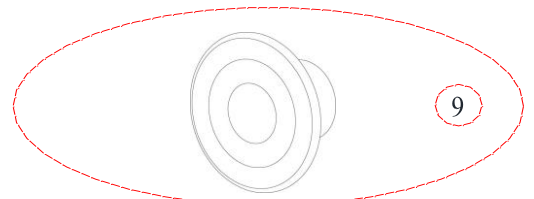
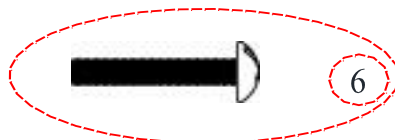
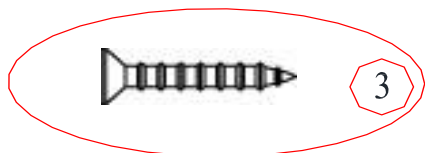
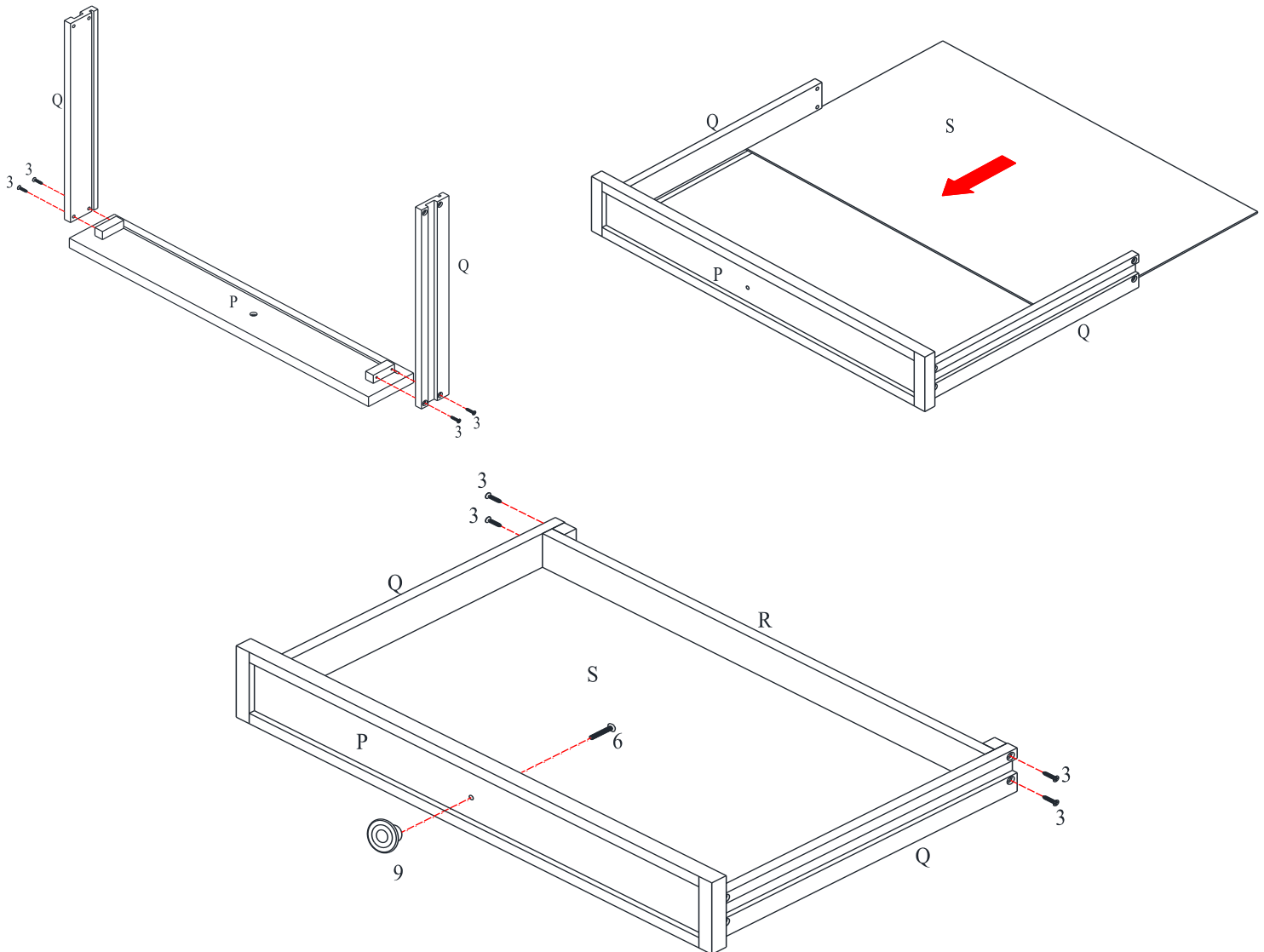
Isla de cocina con 2 taburetes DA7867

ETAPA 1

Una los lados del cajón (Q) con el frente del cajón (P) con tornillos de cabeza plana (3). Deslice el fondo del cajón (S) en las ranuras de los lados del cajón (Q) y del frente del cajón (P).

Una el lado posterior del cajón (R) con los lados del cajón (Q) con tornillos de cabeza plana (3). Asegúrese de que el fondo del cajón (S) esté bien dentro de la ranura del lado posterior del cajón (R).

Coloque el pomo (9) sobre el frente del cajón (P) con un perno (6). Utilice un destornillador Phillips (no incluido) para colocar el perno (6) y los tornillos (3).



Isla de cocina con 2 taburetes

DA7867

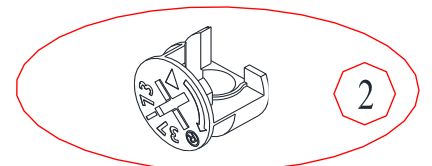
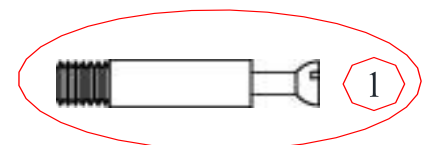
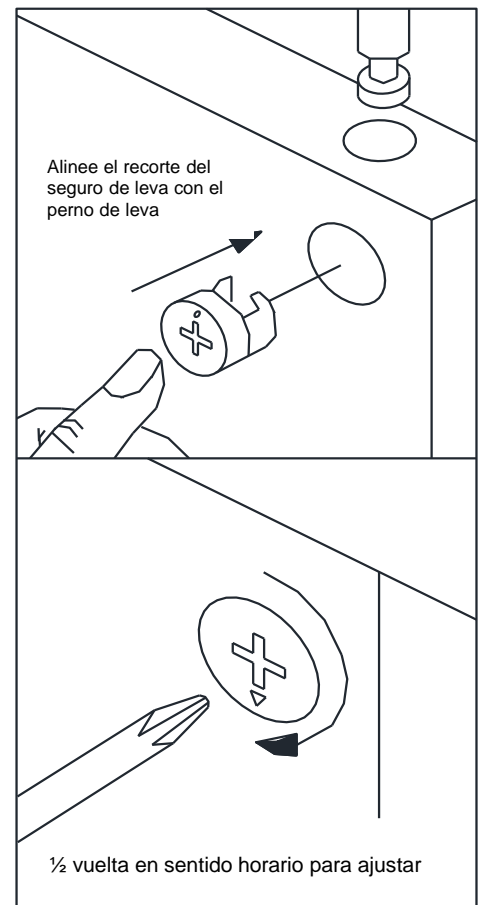
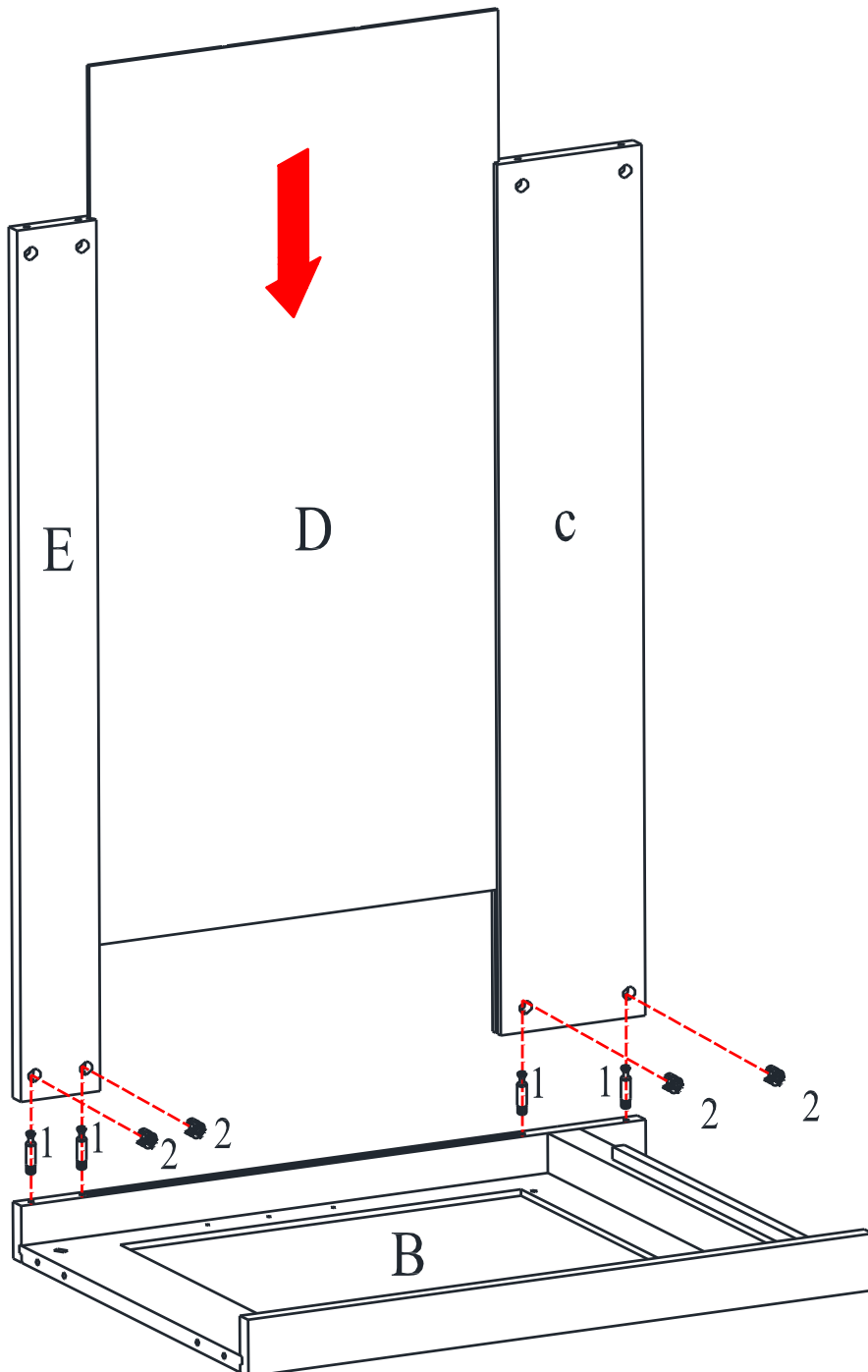
ETAPA 2

Inserte pernos de leva (1) en el lado derecho (B).

Inserte seguros de leva (2) en el larguero superior (C) y el larguero inferior (E) como ilustrado.

Una el larguero superior (C) y el larguero inferior (E) con el lado derecho (B) y fíjelos girando los seguros de leva (2) $\frac{1}{2}$ vuelta en sentido horario con un destornillador Phillips (no incluido).

Deslice el panel posterior (D) en las ranuras de los largueros (C y E) y del lado derecho (B).



Isla de cocina con 2 taburetes

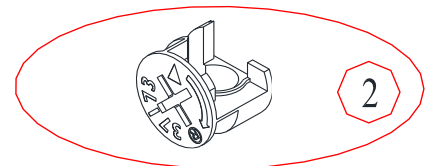
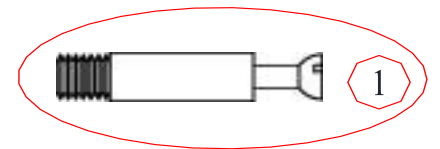
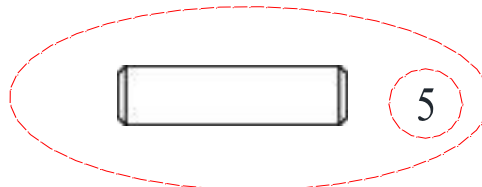
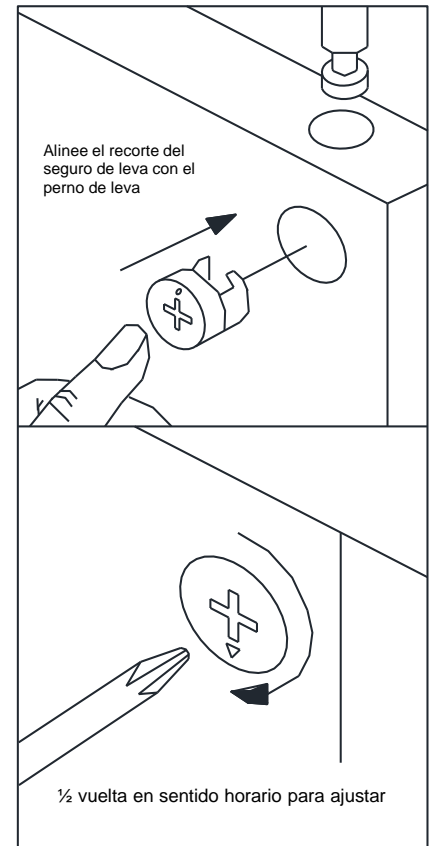
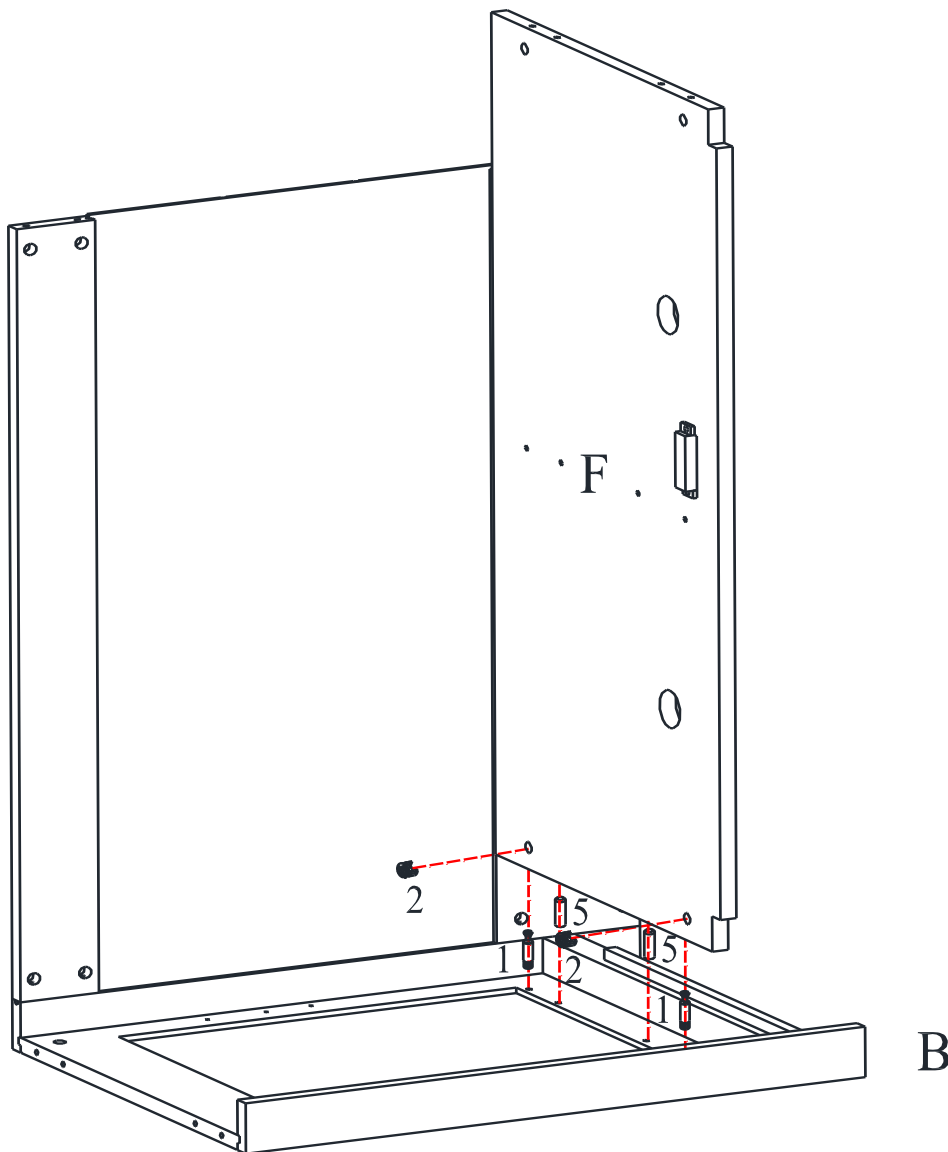
DA7867

ETAPA 3

Inserte pernos de leva (1) y clavijas de madera (5) en el lado derecho (B).

Inserte seguros de leva (2) en el panel central (F).

Una el panel central (F) con el lado derecho (B) y fijelos girando los seguros de leva (2) $\frac{1}{2}$ vuelta en sentido horario con un destornillador Phillips (no incluido).



Isla de cocina con 2 taburetes

DA7867

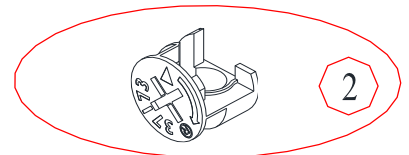
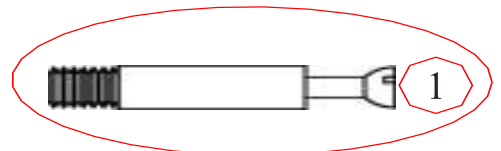
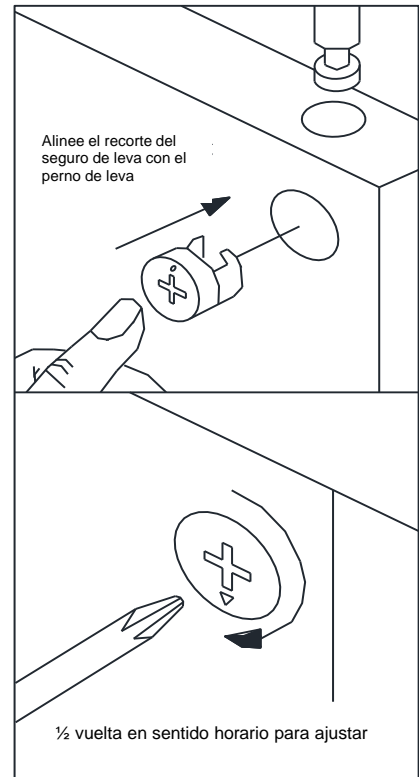
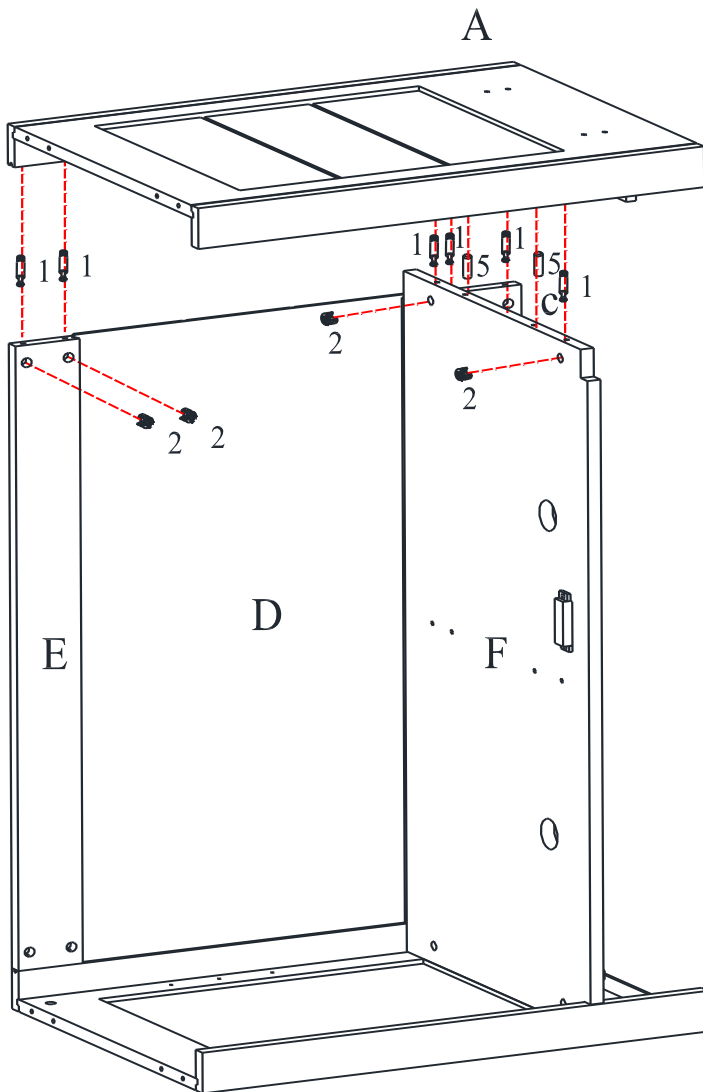
ETAPA 4

Inserte pernos de leva (1) en el lado izquierdo (A).

Inserte seguros de leva (2) en el panel central (F), en el larguero superior (C) y en el larguero inferior (E) como ilustrado más abajo.

Inserte clavijas de madera (5) en el panel central (F).

Una el lado izquierdo (A) con la unidad ya ensamblada como ilustrado más abajo y fíjelo girando los seguros de leva (2) $\frac{1}{2}$ vuelta en sentido horario con un destornillador Phillips (no incluido).



Isla de cocina con 2 taburetes

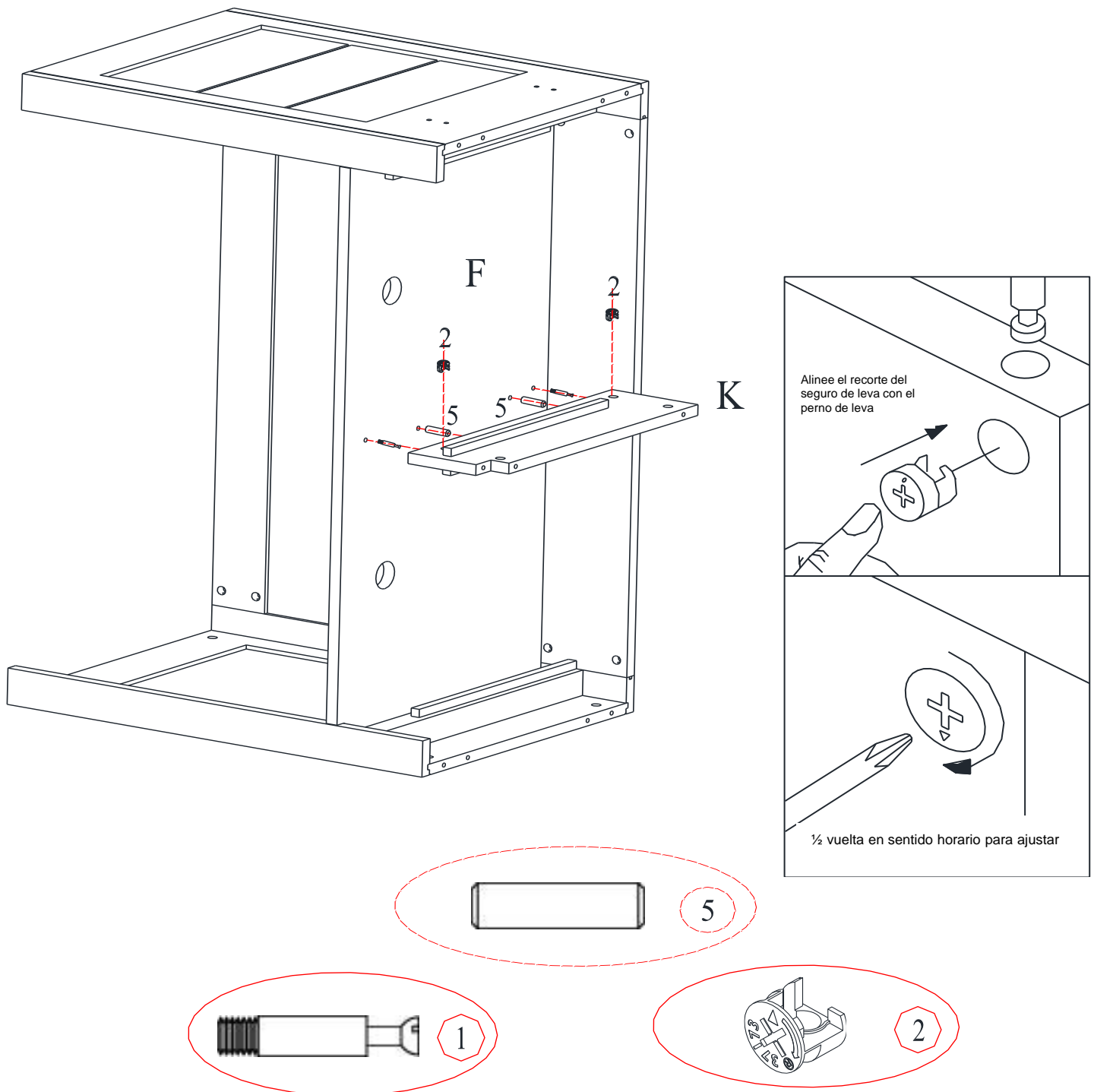
DA7867

ETAPA 5

Inserte pernos de leva (1) y clavijas de madera (5) en el panel central (F).

Inserte seguros de leva (2) en el panel superior (K).

Una el panel superior (K) con el panel central (F) y fijelos girando los seguros de leva (2) $\frac{1}{2}$ vuelta en sentido horario con un destornillador Phillips (no incluido).

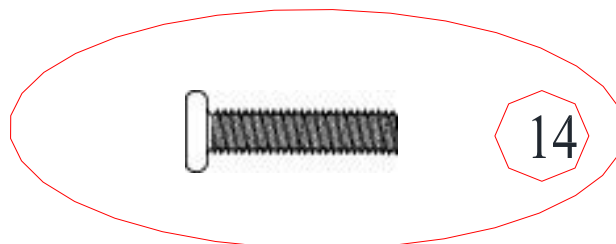
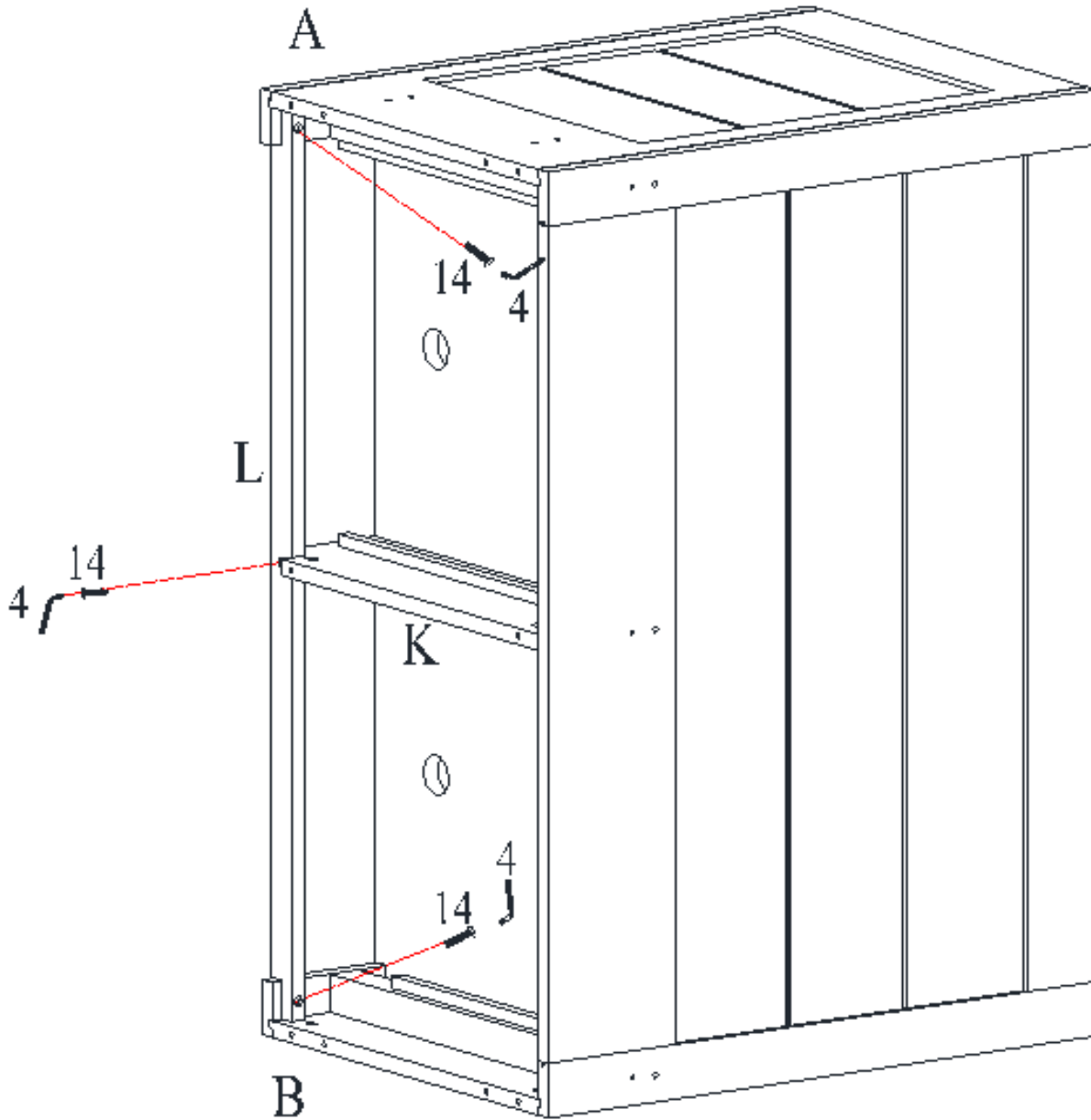


Isla de cocina con 2 taburetes DA7867

ETAPA 6

Una el soporte superior anterior (L) con los lados izquierdo y derecho (A y B) y con el panel superior (K) con pernos (14) como ilustrado.

Utilice la llave Allen (4) para ajustar los pernos (14).



Isla de cocina con 2 taburetes

DA7867

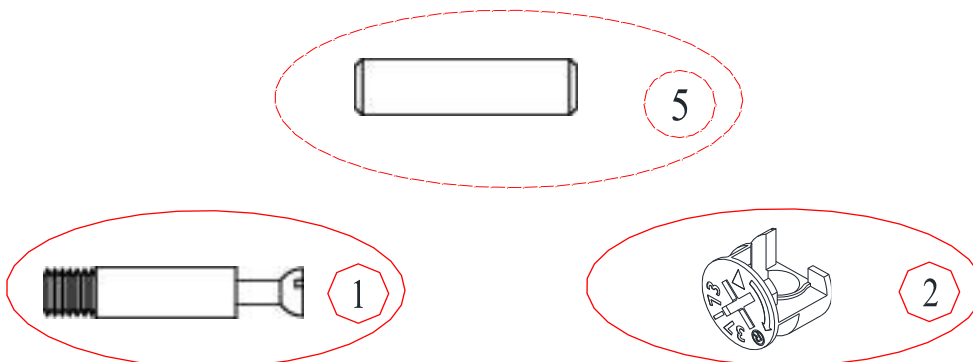
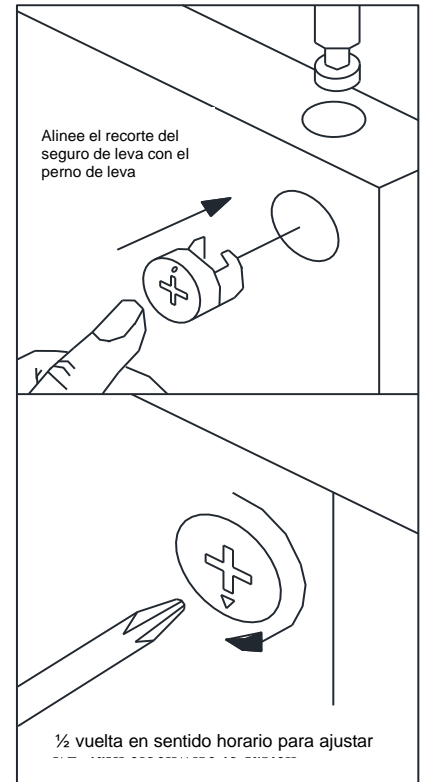
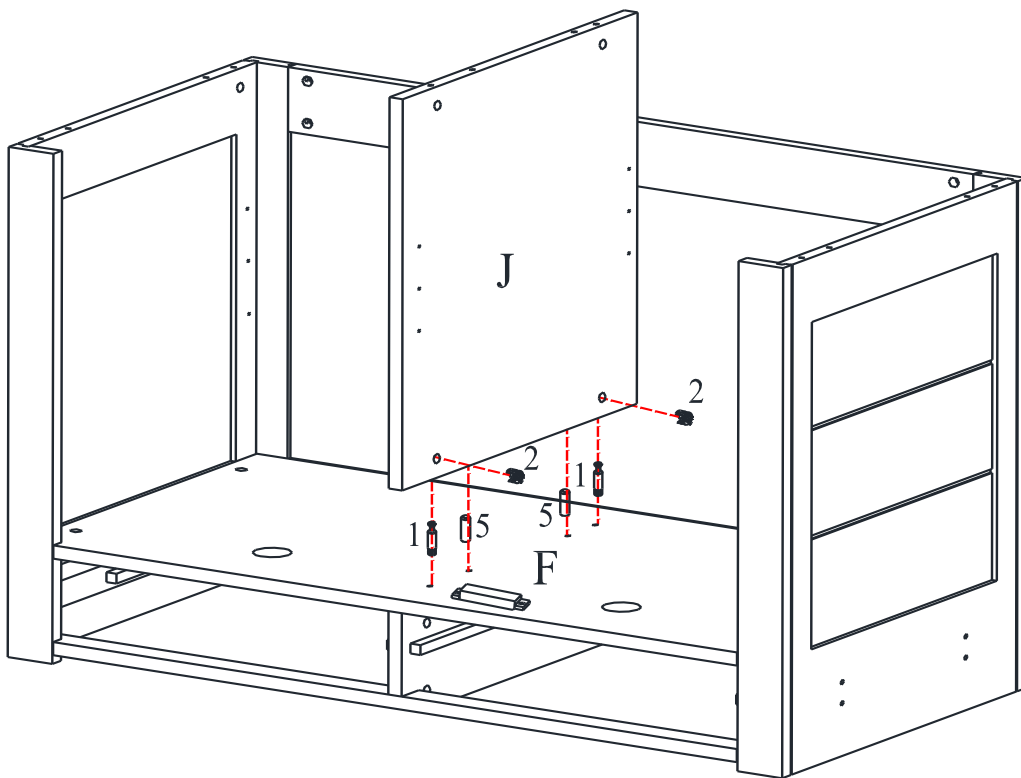
ETAPA 7

Con la ayuda de otra persona, dé vuelta la unidad.

Inserte pernos de leva (1) y clavijas de madera (5) en el panel central (F) con un destornillador Phillips (no incluido).

Inserte seguros de leva (2) en el panel vertical (J).

Una el panel vertical (J) con el panel central (F) y fíjelos girando los seguros de leva (2) $\frac{1}{2}$ vuelta en sentido horario con un destornillador Phillips (no incluido).



Isla de cocina con 2 taburetes

DA7867

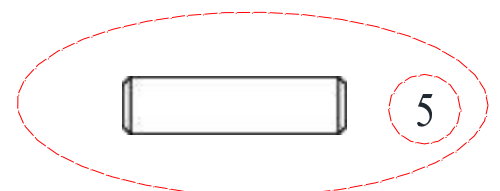
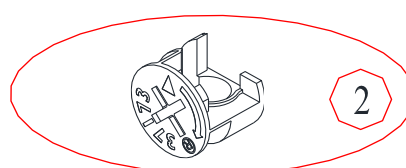
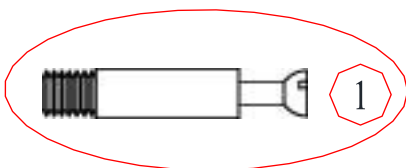
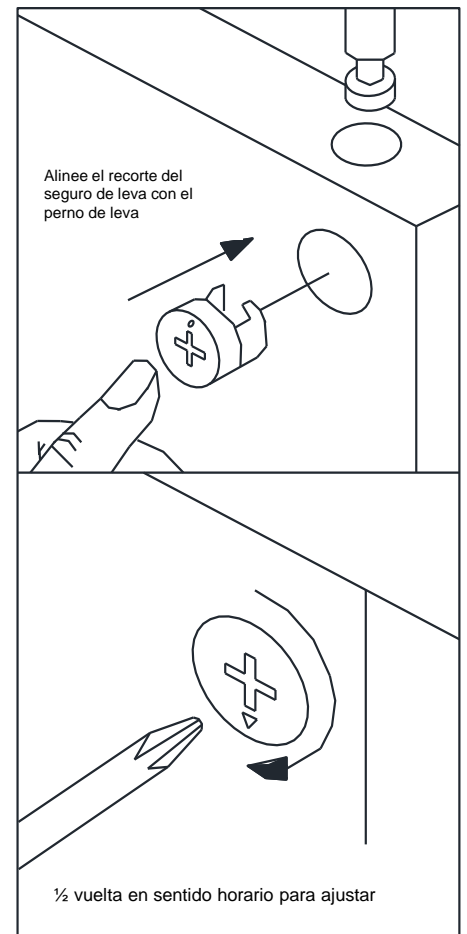
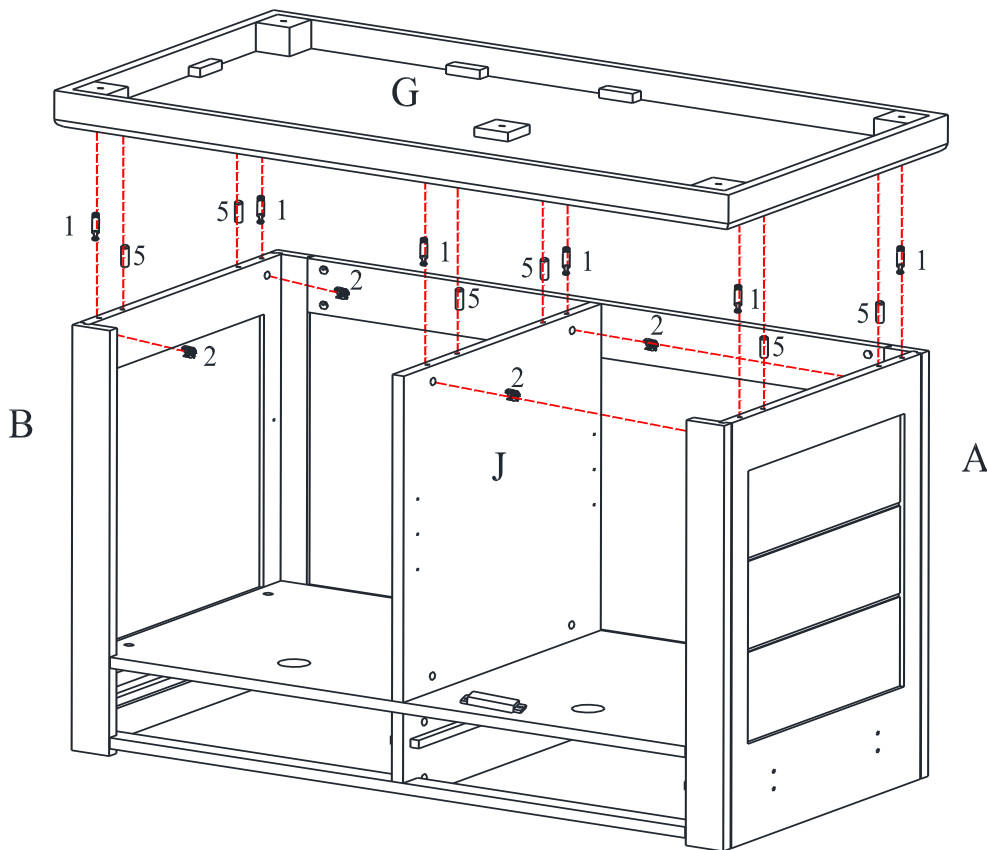
ETAPA 8

Inserte pernos de leva (1) en el panel inferior (G) con un destornillador Phillips (no incluido).

Inserte clavijas de madera (5) en los lados (A y B) y en el panel vertical (J).

Inserte seguros de leva (2) en el panel vertical (J) y en los lados (A y B) como ilustrado.

Una el panel inferior (G) con el panel vertical (J) y los lados (A y B) y fíjelos girando los seguros de leva (2) $\frac{1}{2}$ vuelta en sentido horario con un destornillador Phillips (no incluido).

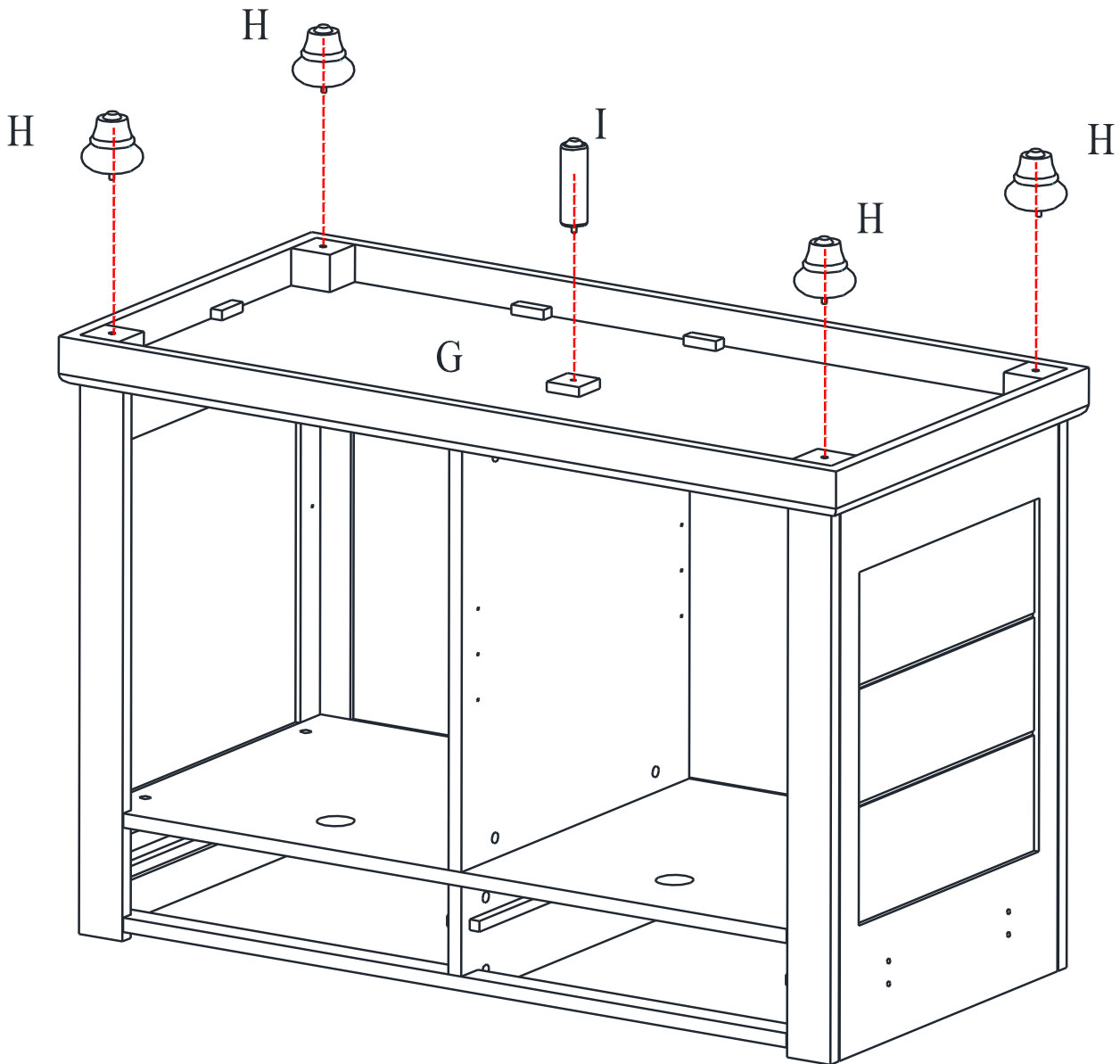


Isla de cocina con 2 taburetes

DA7867

ETAPA 9

Coloque las patas cebolla (H) y la pata de soporte (I) en el panel inferior (G) girándolas en sentido h
Con la ayuda de otra persona, vuelva a colocar la isla sobre las patas.



Isla de cocina con 2 taburetes

DA7867

ETAPA 10

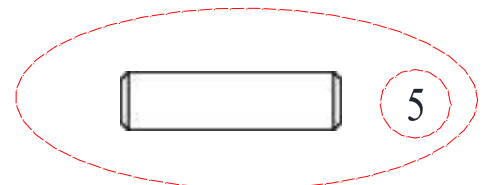
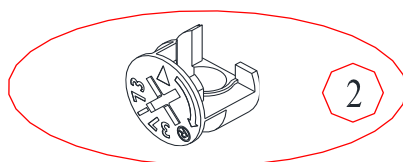
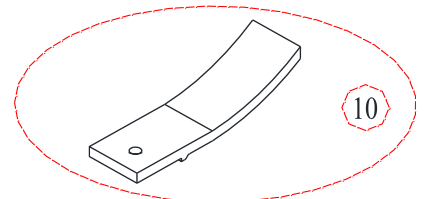
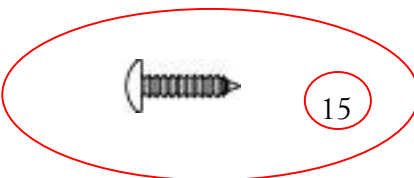
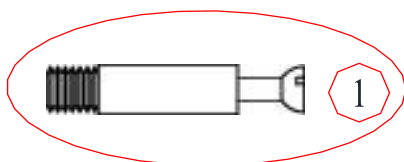
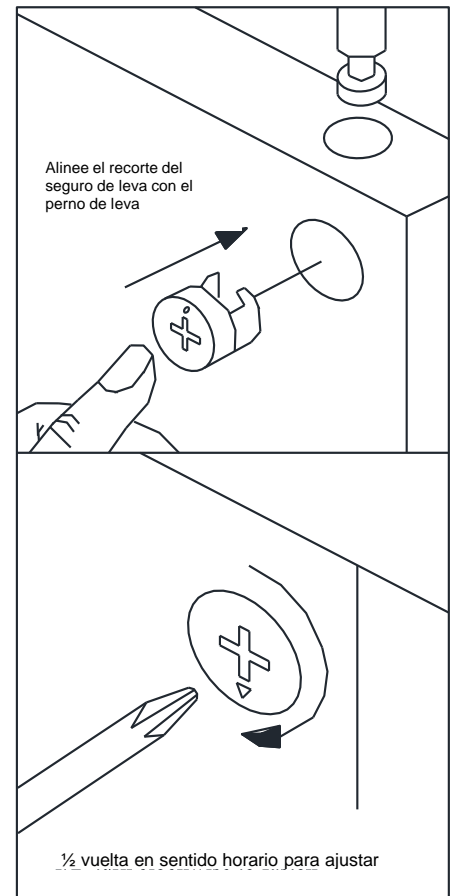
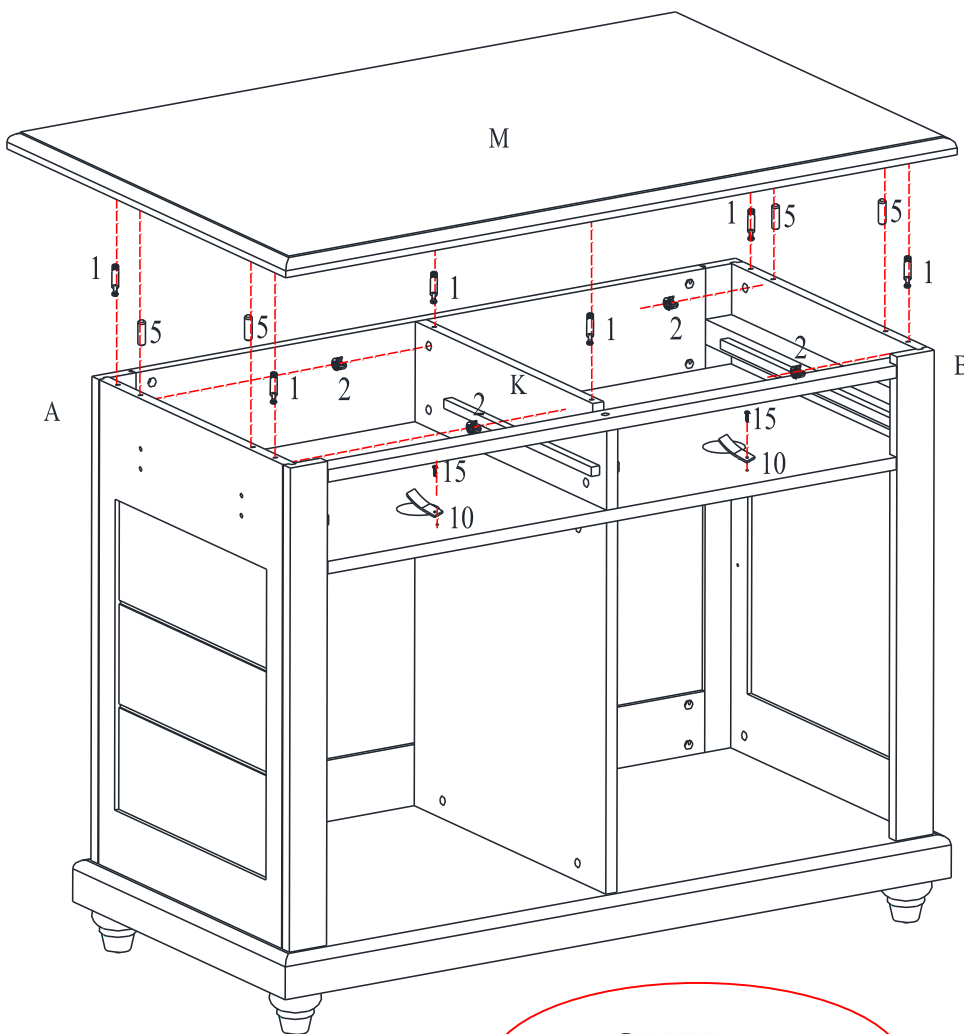
Coloque los topes de cajón (10) en el panel central (F) con tornillos de cabeza redonda (15) y un destornillador Phillips (no incluido).

Inserte pernos de leva (1) en la tapa de la isla (M).

Inserte clavijas de madera (5) en los lados (A y B).

Inserte seguros de leva (2) en el panel superior (K) y en los lados (A y B) como ilustrado.

Una la tapa de la isla (M) con el panel superior (K) y los lados (A y B) y fíjelos girando los seguros de leva (2) $\frac{1}{2}$ vuelta en sentido horario con un destornillador Phillips (no incluido).



Isla de cocina con 2 taburetes

DA7867

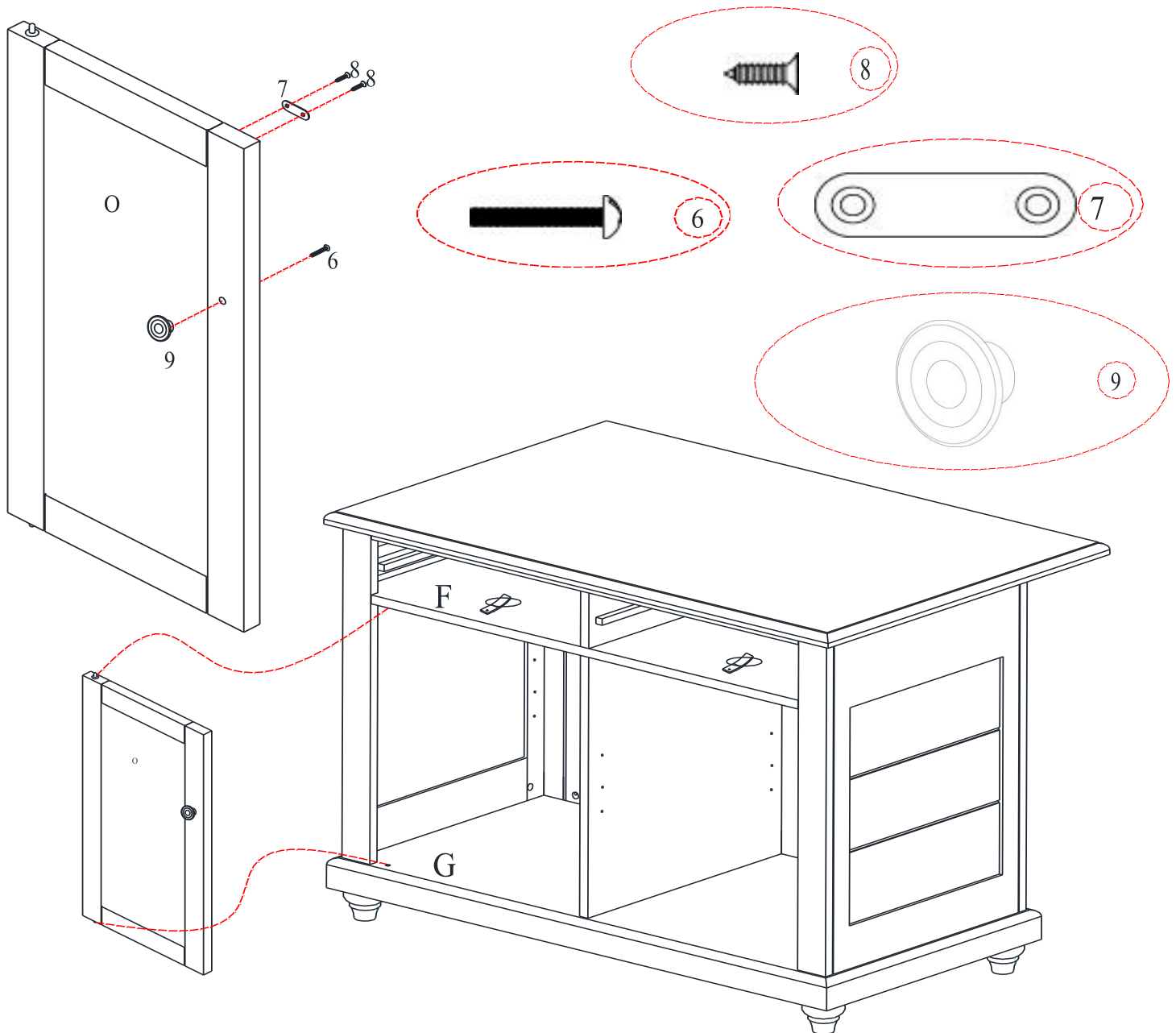
ETAPA 11

Coloque el pomo (9) en la puerta (O) con un perno (6).

Coloque la placa de metal (7) en la puerta (O) con tornillos de cabeza plana (8).

Coloque la placa de metal (7) en la puerta (O) con tornillos de cabeza plana (8).

Instale la puerta (O) presionando las barras de metal de la puerta hacia abajo e insertando la puerta en los agujeros del panel central (F) y del panel inferior (G).



Isla de cocina con 2 taburetes

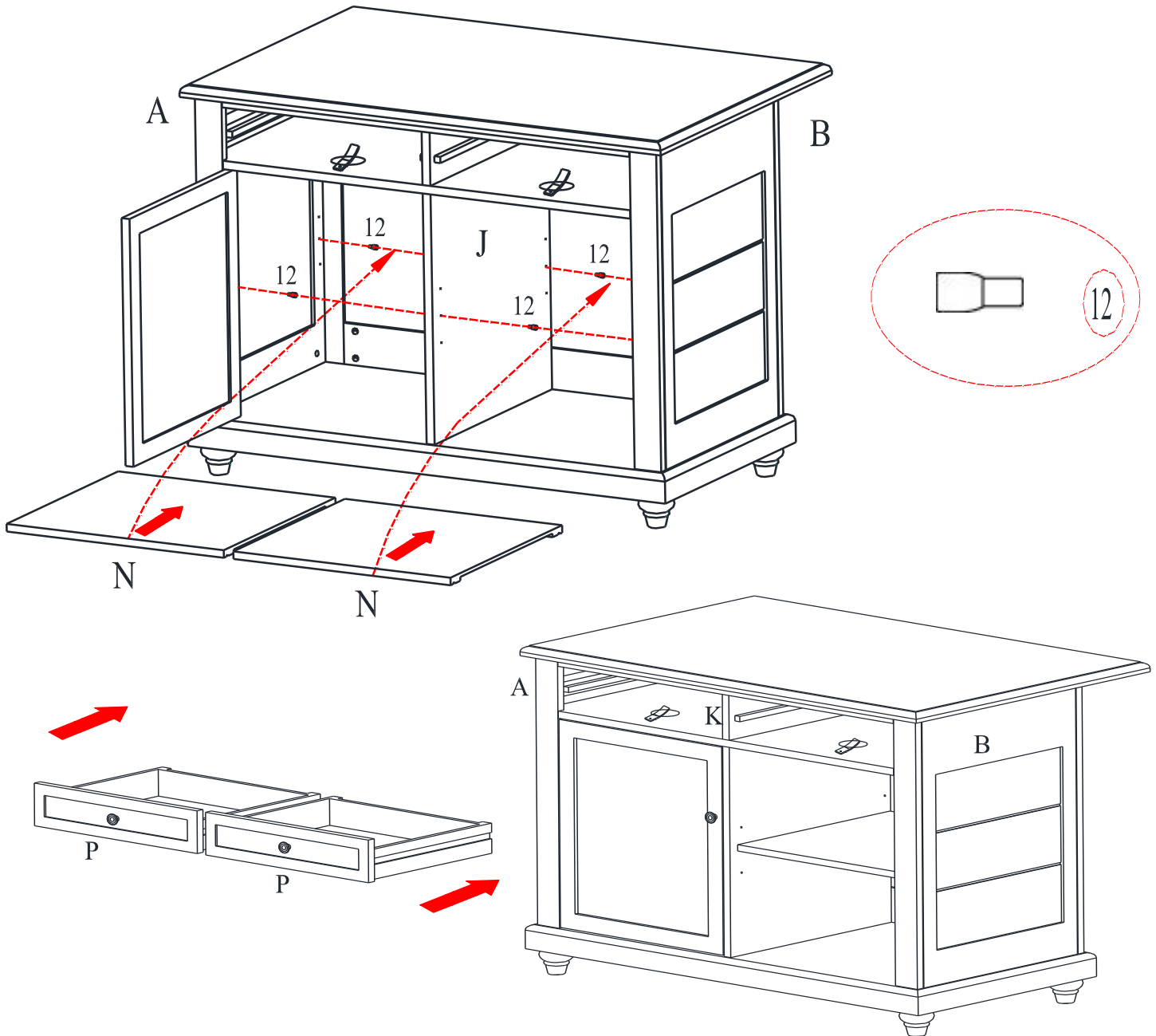
DA7867

ETAPA 12

Inserte los soportes de los estantes (12) en los agujeros de los lados (A y B) y del panel vertical (J).

Coloque los estantes ajustables (N) sobre los soportes de los estantes (12) como ilustrado más abajo.

Coloque los cajones previamente ensamblados en la isla.



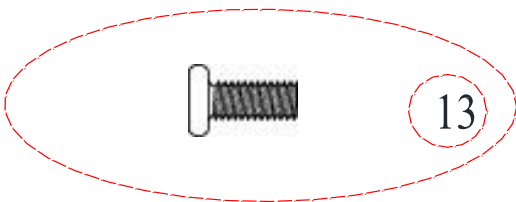
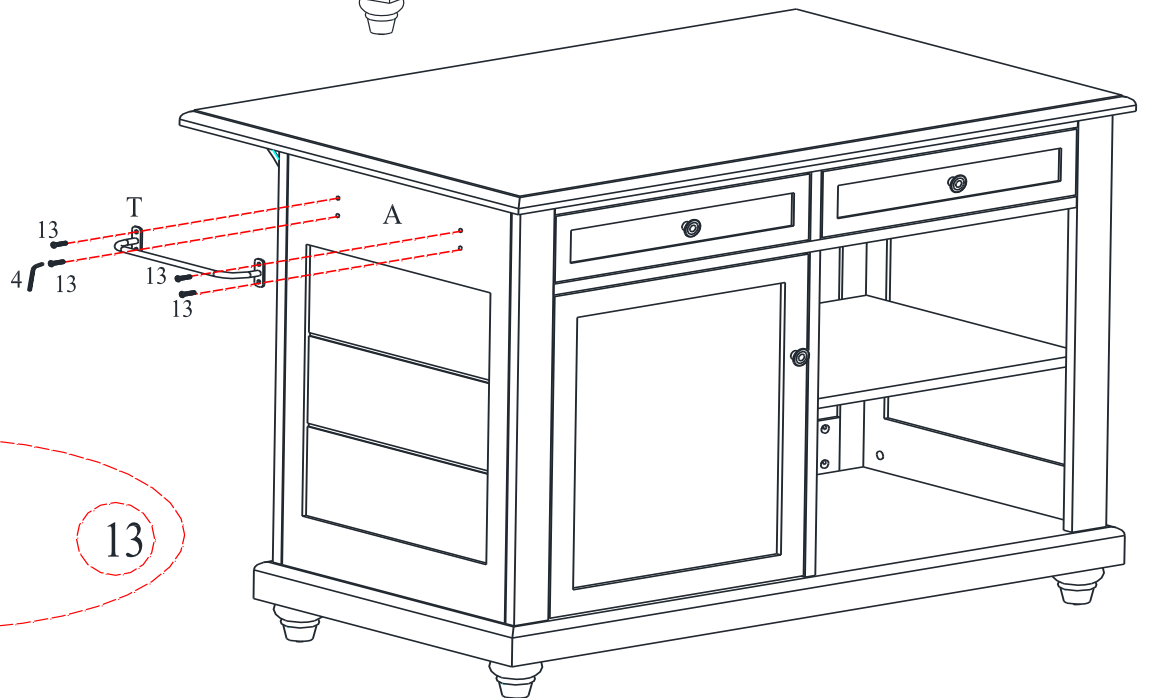
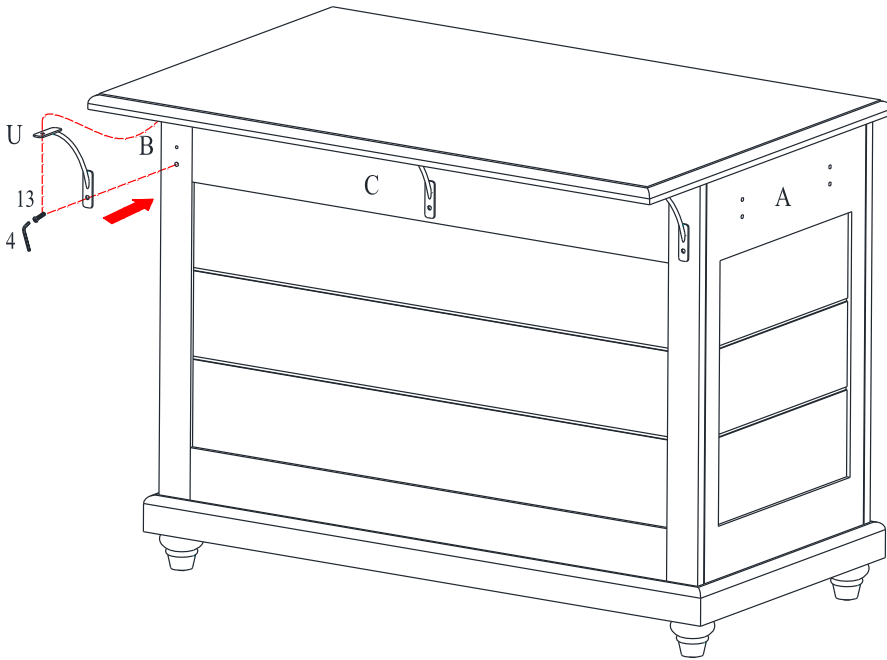
Isla de cocina con 2 taburetes

DA7867

ETAPA 13

Una el soporte de metal (U) con los lados (A y B) y con el larguero superior (C) con pernos (13). Coloque el toallero (T) en el lado izquierdo (A) con pernos (13).

Utilice la llave Allen (4) para ajustar los pernos (13).



Isla de cocina con 2 taburetes

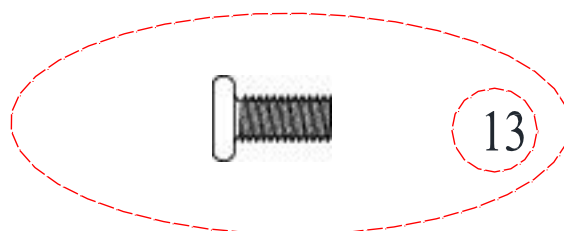
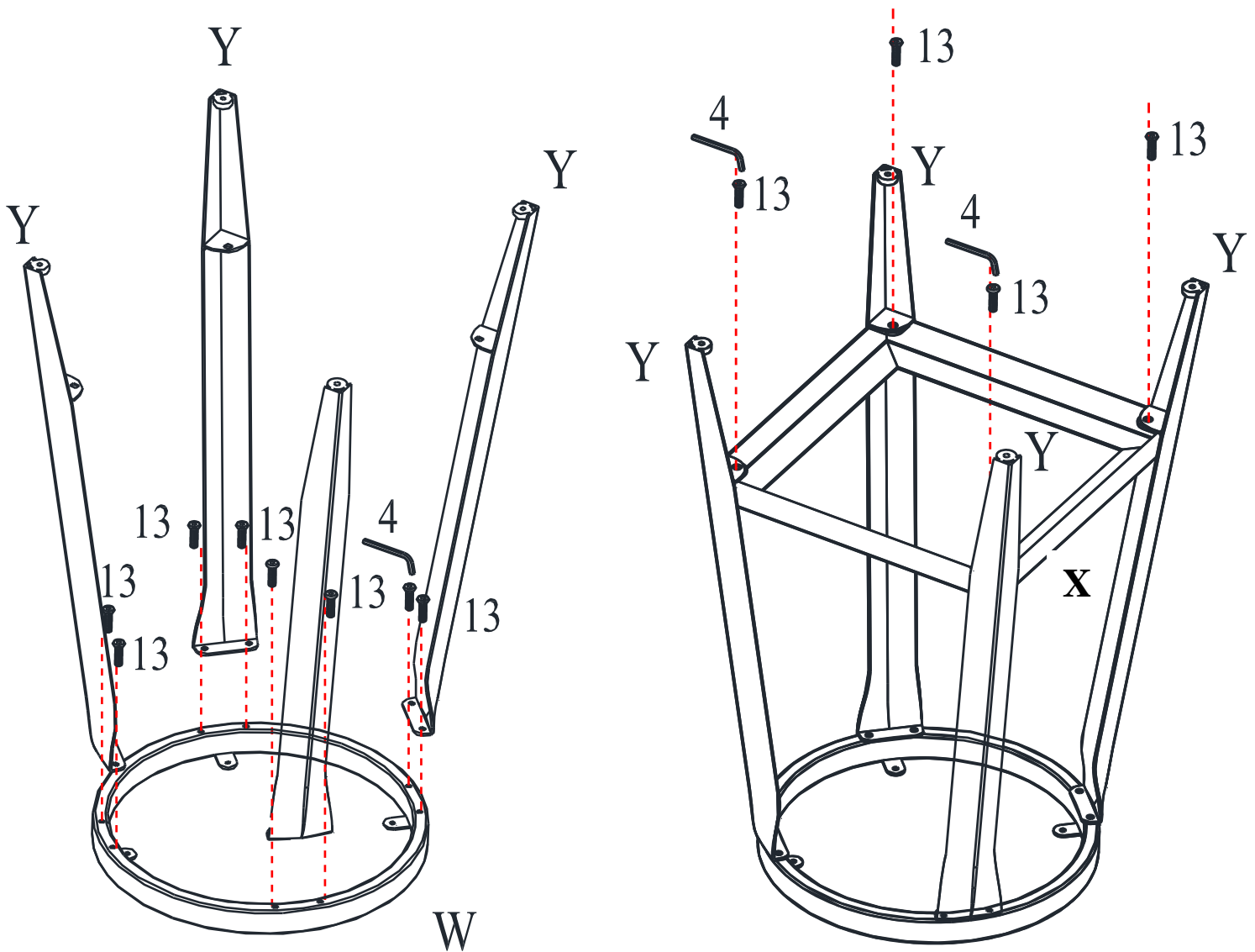
DA7867

ETAPA 14

Una las patas (Y) con el cuadro del asiento (W) con pernos (13). Deje los pernos un poco flojos. Una el cuadro tensor (X) con las patas (Y) con pernos (13).

Utilice la llave Allen (4) para instalar los pernos (13).

NOTA: No ajuste totalmente los pernos hasta que el cuadro tensor (X) no esté unido con las patas (Y).



Isla de cocina con 2 taburetes

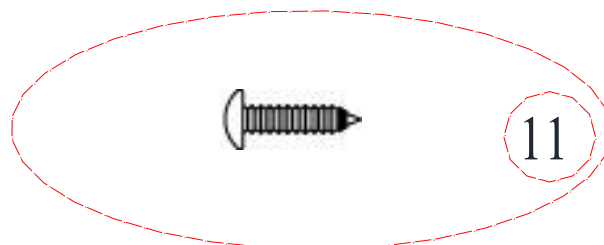
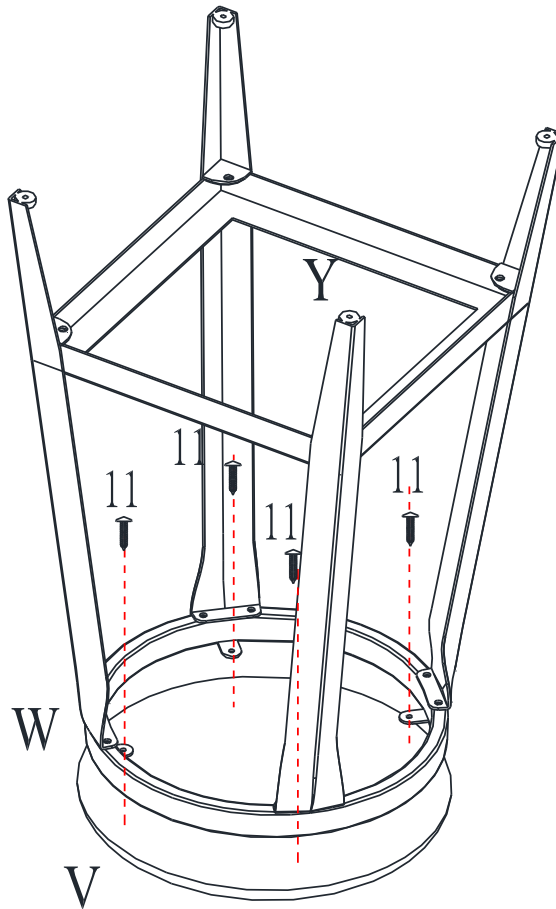
DA7867

ETAPA 15

Una el cuadro del asiento (W) con el asiento (V) con tornillos de cabeza redonda (11).

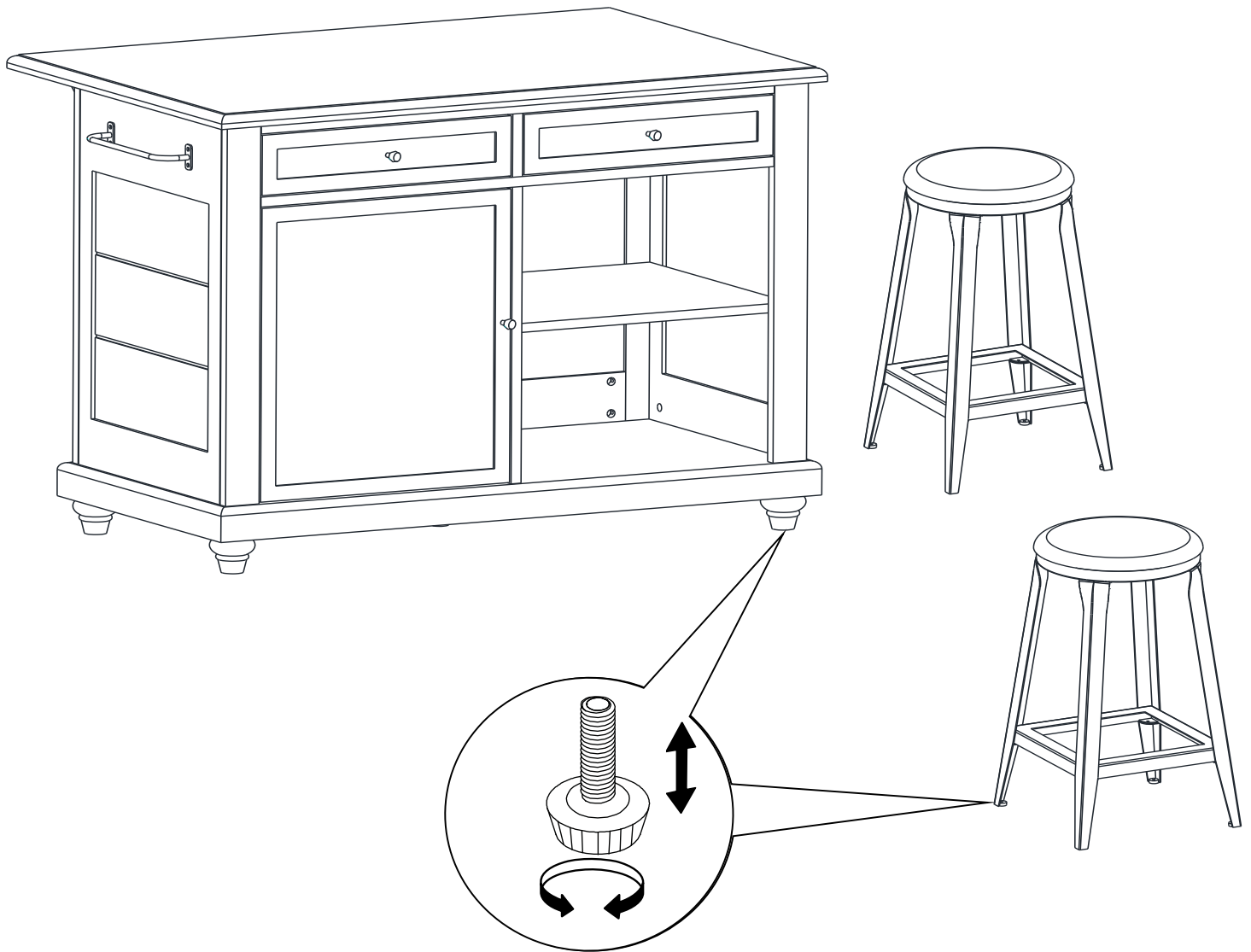
NOTA: Los tornillos (11) perforarán sus propios agujeros. No utilice herramientas eléctricas y no ajuste demasiado los tornillos.

Repita las etapas 14 y 15 para ensamblar el otro taburete.



Isla de cocina con 2 taburetes DA7867

NOTA - Las patas (H) y las patas de los taburetes (Y) están dotadas de niveladores ajustables. Gire los niveladores ajustables para asegurarse de que la isla de cocina y los taburetes queden bien estables sobre el piso.



Nivelador ajustable

Isla de cocina con 2 taburetes

DA7867

! **PRECAUCIÓN:** Esta unidad está prevista únicamente para ser usada con los productos y el peso máximo indicados. Al usarla con otros productos más pesados que el peso máximo indicado puede resultar en inestabilidad y causar heridas.

Pesos máximos del producto

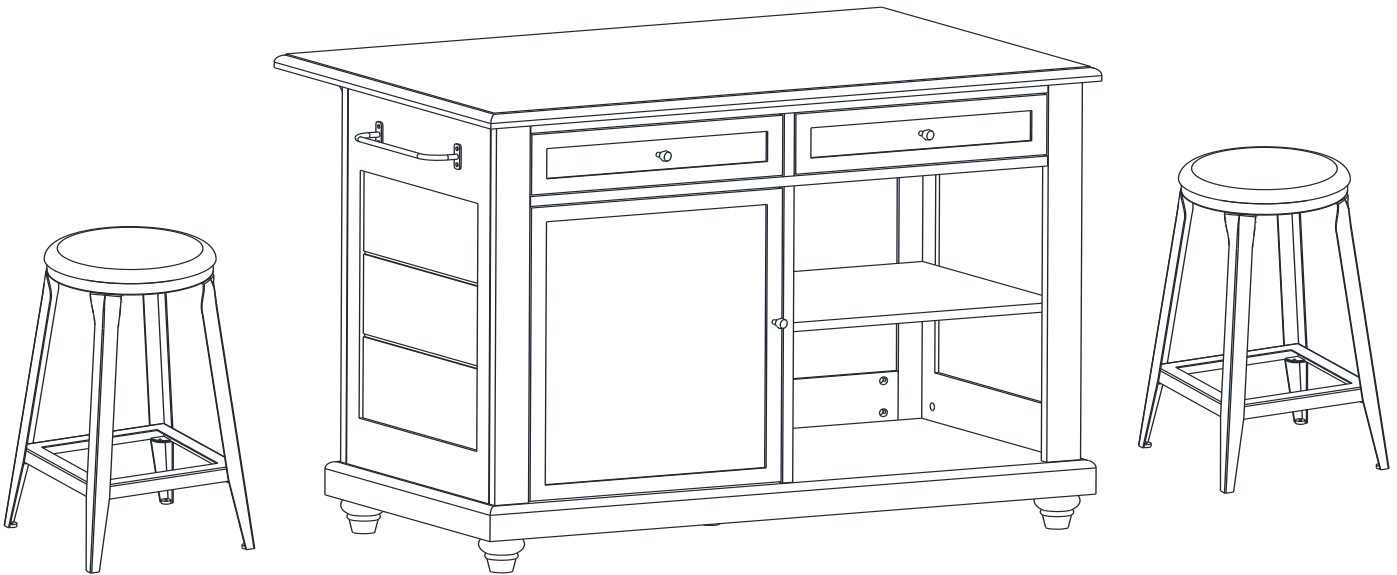
Panel superior : 100 lbs

Cajones : 15 lbs

Estantería : 20 lbs

Estante de toallas : 5 lbs

Taburete : 225 lbs



¡Listo! Acaba de armar su Isla de cocina con 2 taburetes.

NO DEVUELVA EL PRODUCTO A LA TIENDA.

Si falta una pieza o está dañada, contacte nuestro departamento de servicio a la clientela. Reemplazaremos la pieza SIN cargo.



Tel #: 1-800-295-1980
Correo electrónico: das@dorel.com
Fax #: 514-353-7819

Servicio al Cliente

POR FAVOR, NO DEVUELVA ESTE PRODUCTO A LA TIENDA

POR FAVOR, CONTACTE LOS REPRESENTANTES DEL SERVICIO A LA CLIENTELA A LOS SIGUIENTES NÚMEROS SI FALTA UNA PIEZA O ESTÁ DEFECTUOSA.

Número de teléfono del Servicio a la Clientela 1-800-295-1980
Número de fax del Servicio a la Clientela 514-353-7819 Email: das@dorel.com

Fecha de pedido:

Nombre:

Dirección de envío:
Calle y número:
Ciudad y Estado:
Código postal:

Teléfono para llamar de día:
(incluyendo código regional)

Fecha y lugar de compra:

Descripción de pieza(s) y cantidad: (Por favor, asegúrese de incluir número de modelo o número SKN)

Dirección postal del Servicio a la Clientela:

Departamento de Servicio a la Clientela No. 413, 12345 Albert-Hudon Boulevard, Suite 100, Montreal, QC, Canada, H1G 3L1

Îlot de cuisine avec 2 tabourets

DOREL
— Living —

Modèle No:

Code CUP:

DA7867

0-65857-17806-7

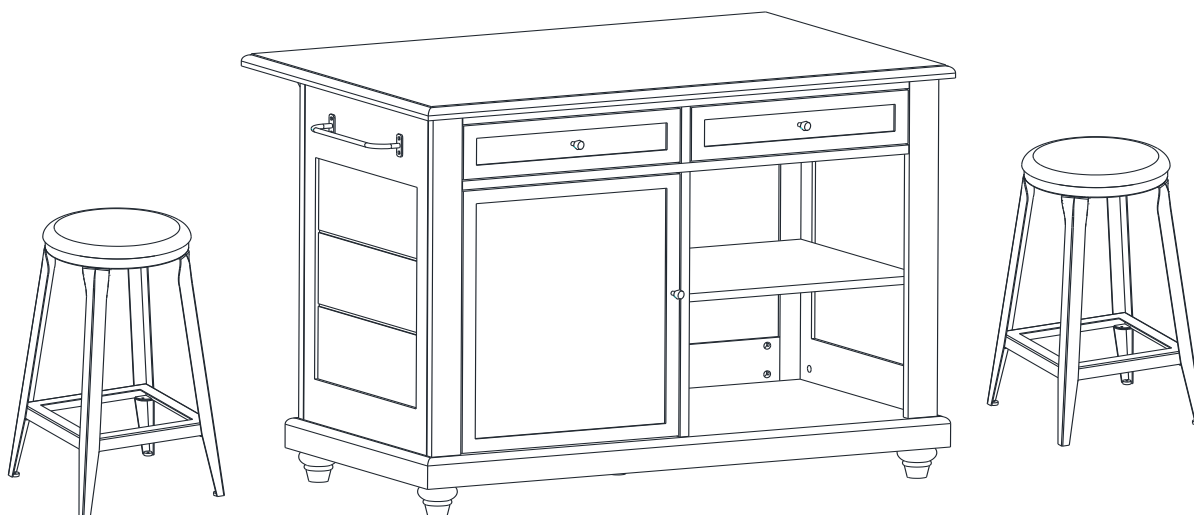
Félicitations pour votre dernier achat d'un meuble ! Les meubles de la ligne **Dorel Living** ont été conçus ayant en tête la qualité, la commodité et le style. Nous sommes convaincus que ce meuble vous servira durant de nombreuses années avec un confort exceptionnel.

Nous vous encourageons à vous familiariser avec les caractéristiques de votre nouveau meuble avant de commencer l'assemblage ; prenez donc quelques minutes pour lire ce manuel. Il contient de l'information importante concernant notre garantie et des conseils d'entretien pour vous assurer de garder votre meuble aussi beau qu'aux premiers jours.

La satisfaction de nos clients est important pour nous chez Dorel Asia. Nos représentants sont disponibles du lundi au vendredi de 8 h à 17 h (heure de l'est) pour répondre à toutes vos questions. Afin d'accélérer le service, ayez toujours en main le numéro de modèle lorsque vous contacterez notre numéro sans frais **1-800-295-1980** ou par courriel à **das@dorel.com**.

Pour trouver d'autres idées inspirantes, veuillez visiter notre site web à www.dorelliving.com.

Vous pouvez aussi souscrire à notre page **Facebook** pour être à la fine pointe de toutes les dernières tendances.



Date d'achat : ____ / ____ / ____

Numéro de lot : _____
(sur la boîte)

NE RETOURNEZ PAS LE PRODUIT AU MAGASIN. Si une pièce est manquante ou endommagée, veuillez communiquer avec notre service à la clientèle. Nous la remplacerons **GRATUITEMENT**.

NOTE: CE MANUEL D'INSTRUCTIONS CONTIENT INFORMATION DE SÉCURITÉ IMPORTANTE.
VEUILLEZ LE LIRE ET LE CONSERVER POUR RÉFÉRENCE ULTÉRIEURE.

SERVICE À LA CLIENTÈLE

Si des pièces sont manquantes ou si vous avez des questions concernant ce produit, contactez un représentant de notre service à la clientèle d'abord!

 **APPELEZ 1-800-295-1980**

Vous pouvez aussi commander des pièces en écrivant à l'adresse indiquée ci-dessous. Veuillez inclure le numéro de modèle du produit, la couleur et une description détaillée de la pièce.

**Service à la clientèle, Département No. 413
12345 boul. Albert-Hudon, Suite 100
Montreal, Quebec
Canada H1G 3L1**

Courriel : das@dorel.com

NOTE

- * Assurez-vous de repérer toutes les parties et les pièces avant de commencer l'assemblage.
- * Assemblez sur une surface douce pour ne pas endommager la finition du produit.
- * **NE PAS** utiliser l'unité s'il est endommagé ou brisé.
- * **NE PAS** utiliser d'outils électriques.
- * Attention: Doit être assemblé par un adulte.
- * L'assemblage nécessite 2 personnes.
- * Temps d'assemblage estimé: 60 minutes.
- * Un tournevis à tête cruciforme (non inclus) est nécessaire pour l'assemblage.

SOIN ET ENTRETIEN

Époussetez régulièrement avec un chiffon doux, sans peluche pour empêcher la saleté de s'accumuler. Séchez immédiatement. Ne pas utiliser aucun agent abrasif qui pourrait endommager la finition. Gardez les solvants, l'alcool, le vernis à ongles et les produits à couper les vernis loin de vos surfaces de meubles en bois.

ENTRETIEN

Vérifiez les boulons/vis périodiquement et serrez-les si nécessaire.

GARANTIE LIMITÉE

Dorel garantit que son produit est exempt de vices de matériaux et de fabrication et s'engage à remédier à un tel défaut. Cette garantie couvre 1 an à partir de la date d'achat originale. Cette garantie n'est valable que sur présentation d'une preuve d'achat. Elle est uniquement limitée à la réparation ou au remplacement de composants défectueux du mobilier et aucun travail de montage n'est inclus. Cette garantie ne s'applique pas à un produit qui a été mal assemblé, soumis à une mauvaise utilisation ou abus, ou qui a été altéré ou réparé d'une façon quelconque. Cette garantie vous donne des droits légaux spécifiques et vous pouvez également avoir d'autres droits qui varient d'une province à l'autre.


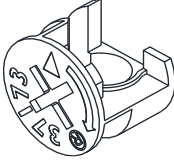
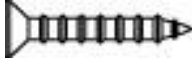
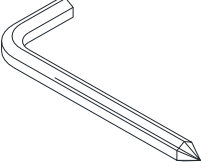

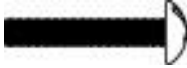


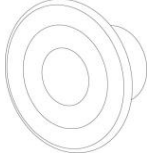


MISE EN GARDE: Si ce produit est endommagé et/ou si des pièces sont brisées ou manquantes, NE PAS UTILISER.

Îlot de cuisine avec 2 tabourets

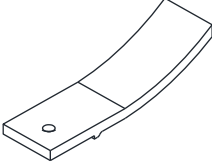





DA7867

LISTE DE QUINCAILLERIE

1		2		3	
BOULON À CAME 28 PCS		VERROUILLAGE À CAME 28 PCS		VIS À TÊTE PLATE 16 PCS	
4		5		6	
M4 CLÉ ALLEN 1 PC		Ø8*30mm GOUJON DE BOIS 18 PCS		Ø5/32"*7/8" BOULON À TÊTE ARRONDIE 3 PCS	
7		8		9	
PLAQUE 1 PC		Ø1/8"x12mm VIS À TÊTE PLATE 2 PCS		Ø32*20mm BOUTON 3 PCS	

Îlot de cuisine avec 2 tabourets DA7867

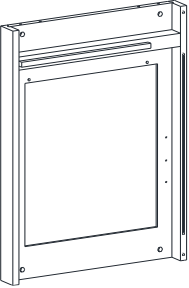
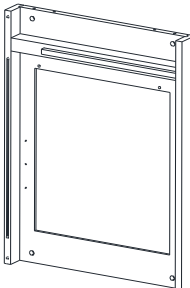




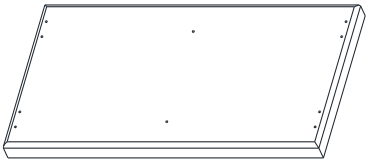
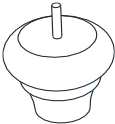
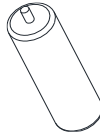
LISTE DE QUINCAILLERIE

10 	11  $\varnothing 5/32'' * 5/8''$	12 
ARRÊT DE TIROIR 2 PCS	VIS À TÊTE ARRONDIE 8 PCS	SUPPORT À ÉTAGÈRE 8 PCS
13  $\varnothing 1/4'' * 1/2''$	14  $\varnothing 1/4'' * 1''$	15  $\varnothing 1/8'' * 1/2''$
BOULON 34 PCS	BOULON 3 PCS	VIS À TÊTE ARRONDIE 2 PCS

Îlot de cuisine avec 2 tabourets

DA7867

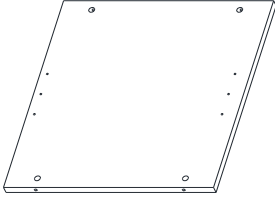
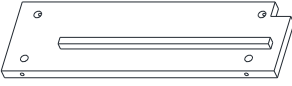


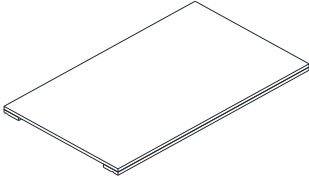
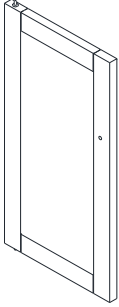
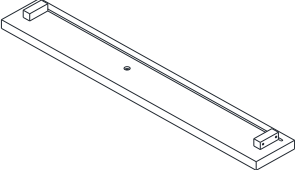

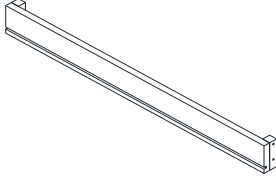
LISTE DE PIÈCES

A 	B 	C 
CÔTÉ GAUCHE 1 PC	CÔTÉ DROIT 1 PC	SUPPORT SUPÉRIEUR 1 PC
D 	E 	F 
PANNEAU ARRIÈRE 1 PC	SUPPORT INFÉRIEUR 1 PC	PANNEAU CENTRAL 1 PC
G 	H 	I 
PANNEAU INFÉRIEUR 1 PC	PIED EN FORME D'OIGNON 4 PCS	PIED DE SUPPORT 1 PC

Îlot de cuisine avec 2 tabourets

DA7867

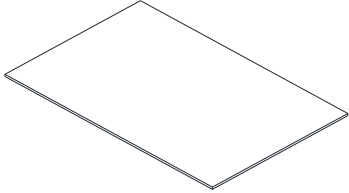

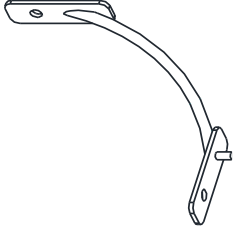
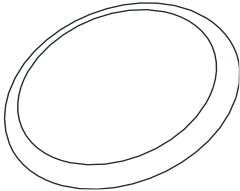
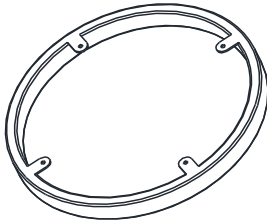
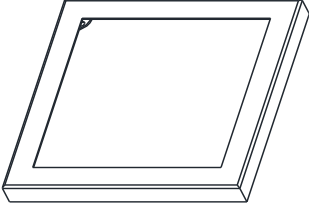

LISTE DE PIÈCES

<p>J</p> 	<p>K</p> 	<p>L</p> 
<p>PANNEAU VERTICAL 1 PC</p>	<p>PANNEAU SUPÉRIEUR 1 PC</p>	<p>BARRE SUPÉRIEURE AVANT 1 PC</p>
<p>M</p> 	<p>N</p> 	<p>O</p> 
<p>DESSUS D'ÎLOT 1 PC</p>	<p>ÉTAGÈRE AJUSTABLE 2 PCS</p>	<p>PORTE 1 PC</p>
<p>P</p> 	<p>Q</p> 	<p>R</p> 
<p>DEVANT DE TIROIR 2 PCS</p>	<p>CÔTÉ DE TIROIR 4 PCS</p>	<p>CÔTÉ ARRIÈRE TIROIR 2 PCS</p>

Îlot de cuisine avec 2 tabourets

DA7867

LISTE DE PIÈCES

S 	T 	U 
FOND DE TIROIR 2 PCS	PORTE SERVIETTE 1 PC	SUPPORT DE MÉTAL 3 PCS
V 	W 	X 
SIÈGE 2 PCS	CADRE DE SIÈGE 2 PCS	CADRE TENDEUR 2 PCS
Y 		
PIED 8 PCS		

Îlot de cuisine avec 2 tabourets

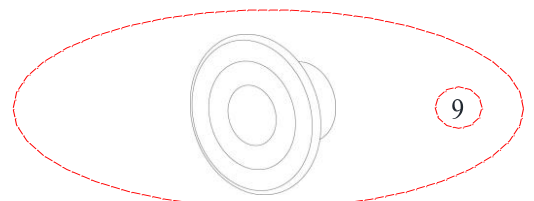
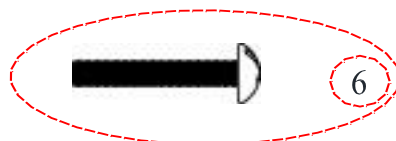
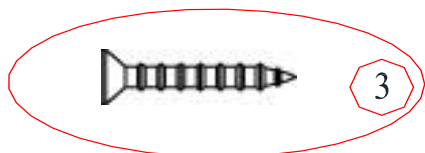
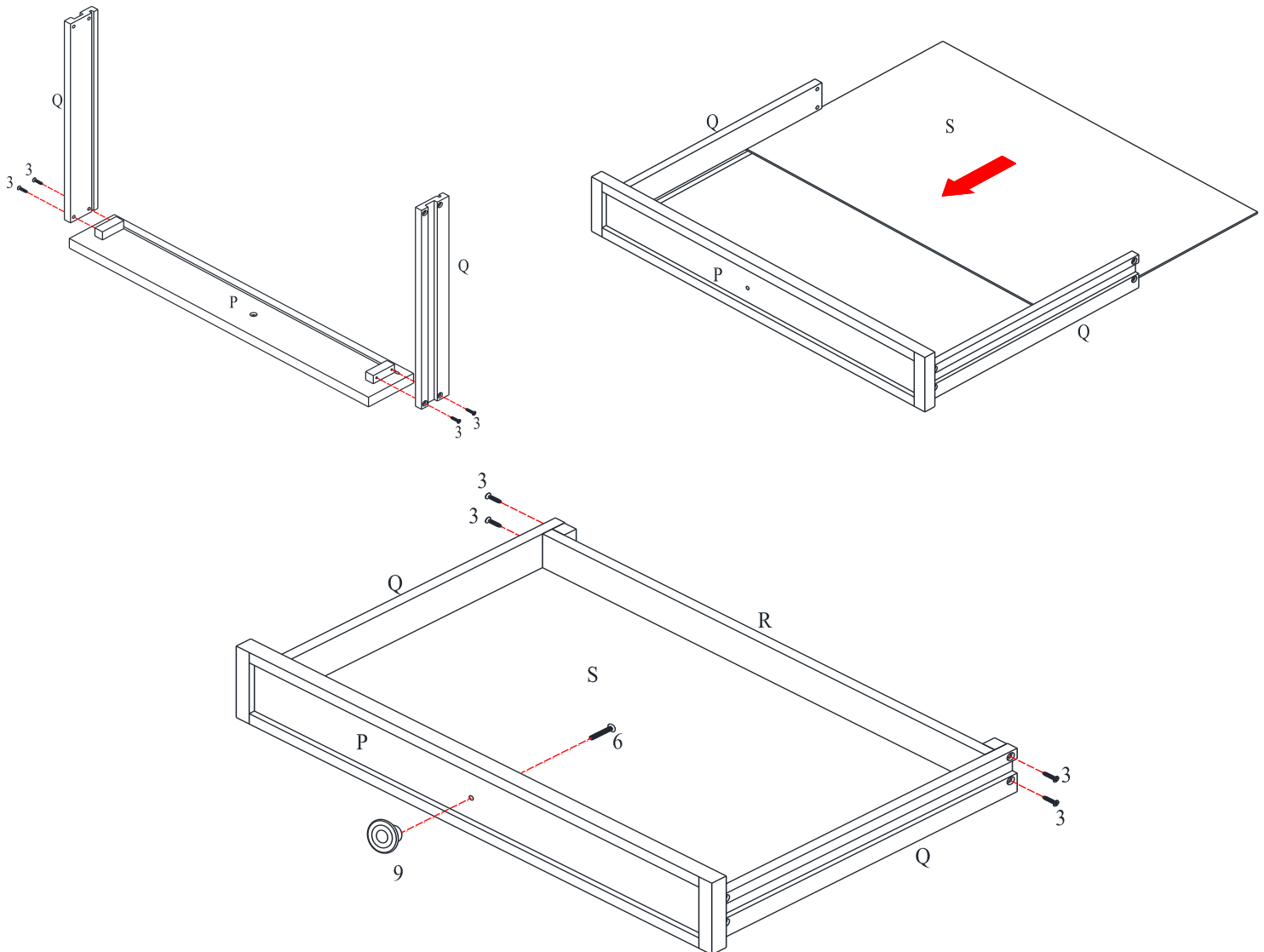
DA7867

ÉTAPE 1

Attachez les côtés du tiroir (Q) avec le devant du tiroir (P) avec des vis à tête plate (3). Glissez le fond du tiroir (S) dans les rainures des côtés du tiroir (Q) et du devant du tiroir (P).

Attachez le côté arrière du tiroir (R) aux côtés du tiroir (Q) avec des vis à tête plate (3). Assurez-vous que le fond du tiroir (S) soit bien placé dans la rainure du côté arrière du tiroir (R).

Placez un bouton (9) sur le devant du tiroir (P) avec un boulon (6). Servez-vous d'un tournevis cruciforme (non compris) pour installer le boulon (6) et les vis (3).



Îlot de cuisine avec 2 tabourets

DA7867

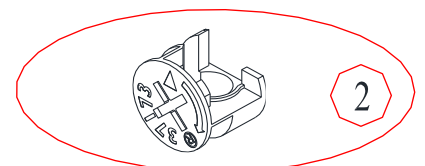
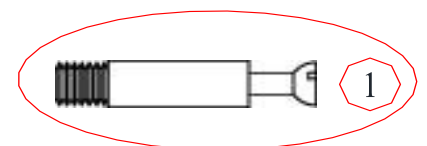
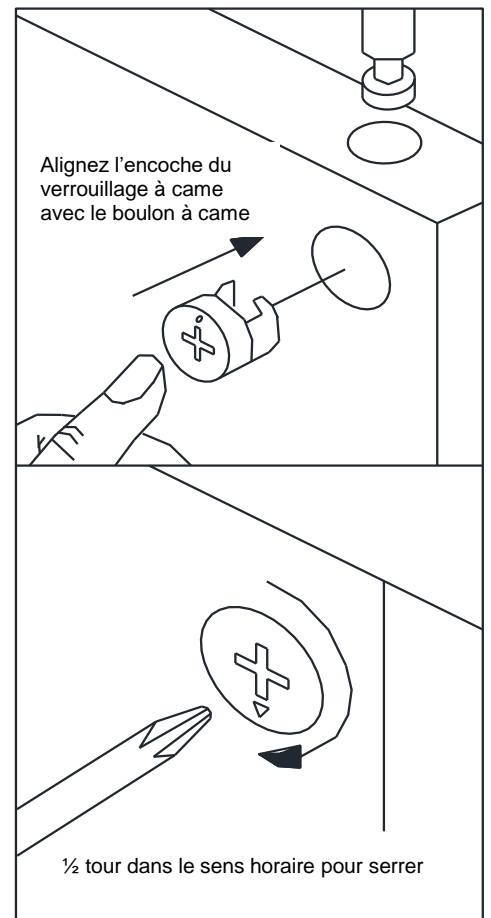
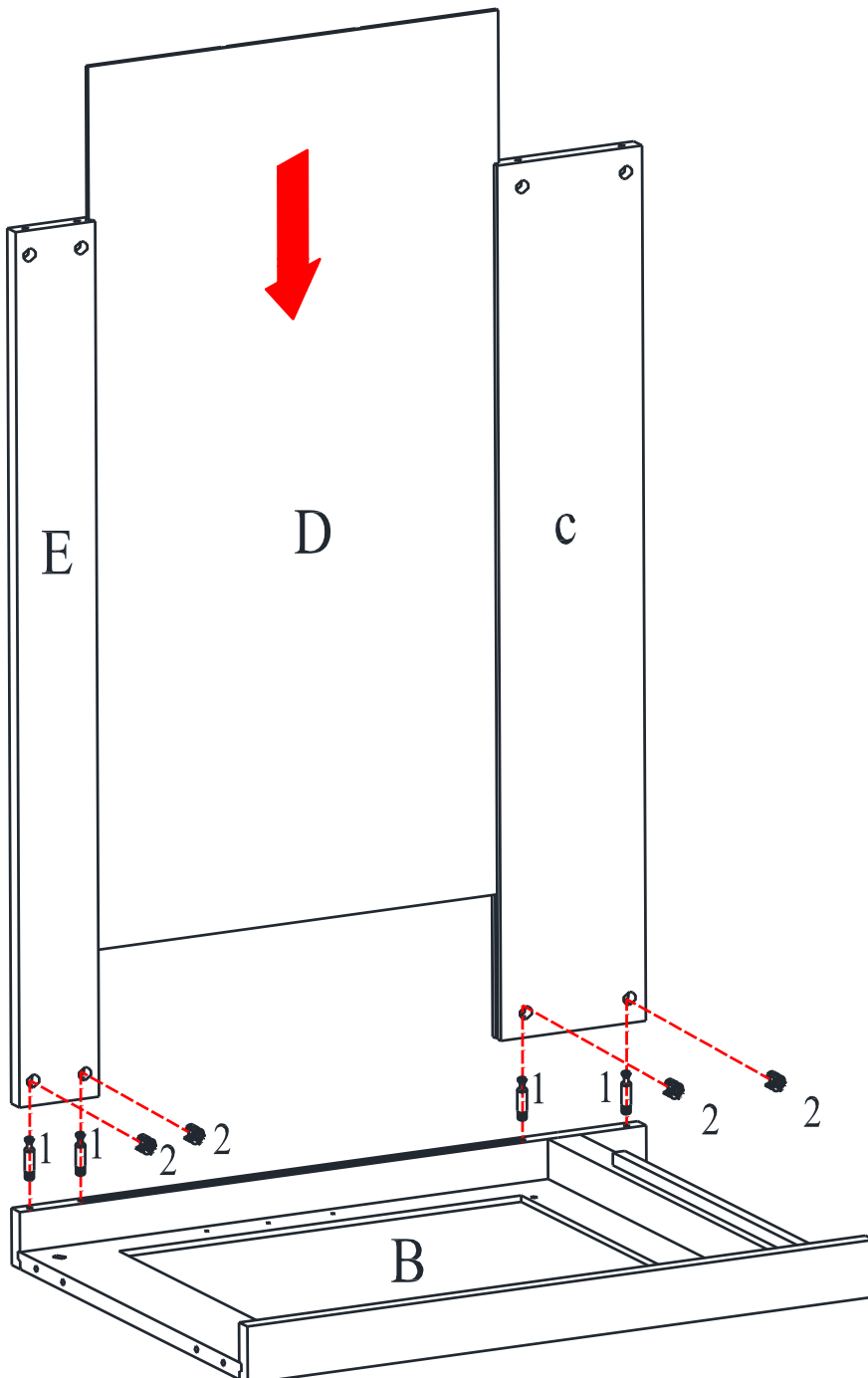
ÉTAPE 2

Insérez des boulons à came (1) dans le côté droit (B).

Insérez des verrouillages à came (2) dans le support supérieur (C) et le support inférieur (E) tel qu'illustré.

Attachez le support supérieur (C) et le support inférieur (E) au côté droit (B) et fixez-les en tournant les verrouillages à came (2) $\frac{1}{2}$ tour dans le sens horaire avec un tournevis cruciforme (non compris).

Glissez le panneau arrière (D) dans les rainures des supports (C et E) et du côté droit (B).



Îlot de cuisine avec 2 tabourets

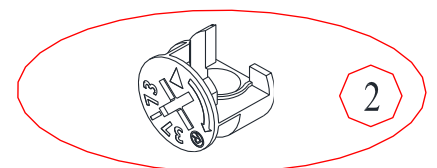
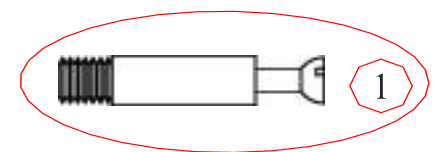
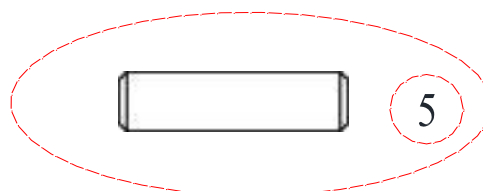
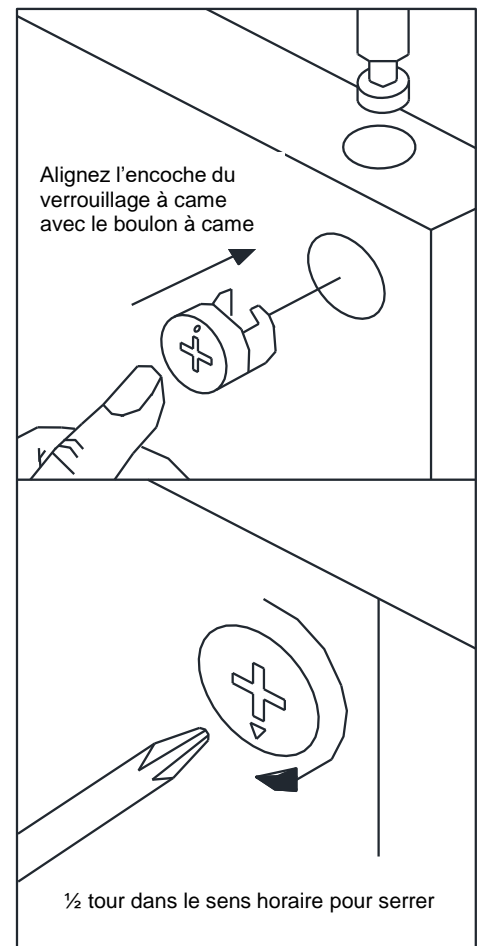
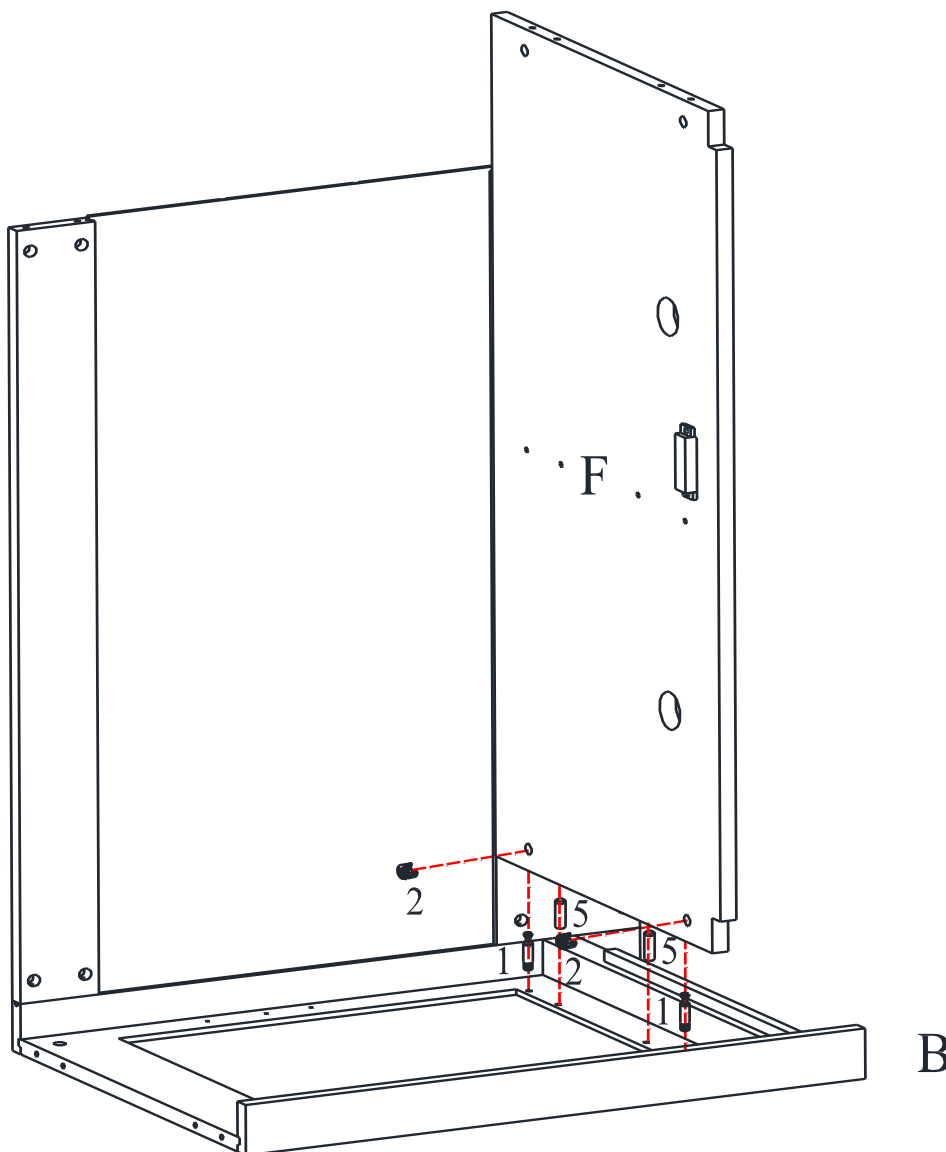
DA7867

ÉTAPE 3

Insérez des boulons à came (1) et des goujons de bois (5) dans le côté droit (B).

Insérez des verrouillages à came (2) dans le panneau central (F).

Attachez le panneau central (F) avec le côté droit (B) et fixez-les en tournant les verrouillages à came (2) $\frac{1}{2}$ tour dans le sens horaire avec un tournevis cruciforme (non compris).



Îlot de cuisine avec 2 tabourets

DA7867

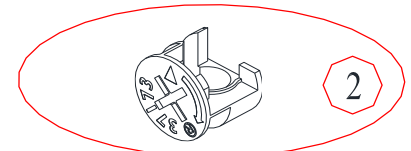
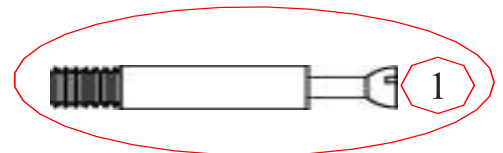
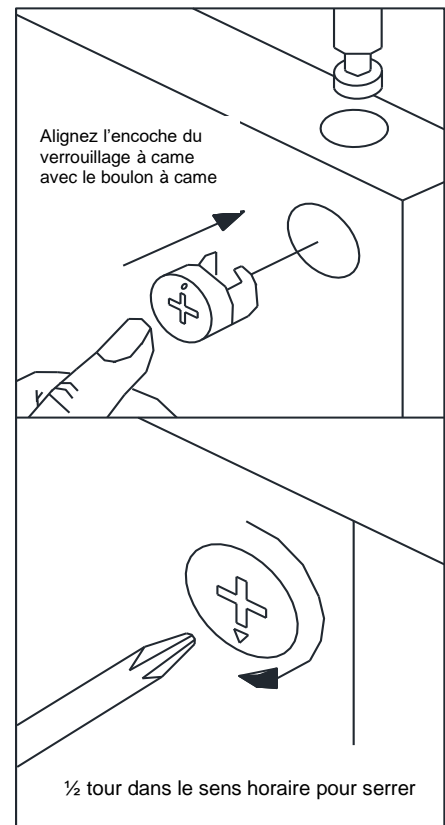
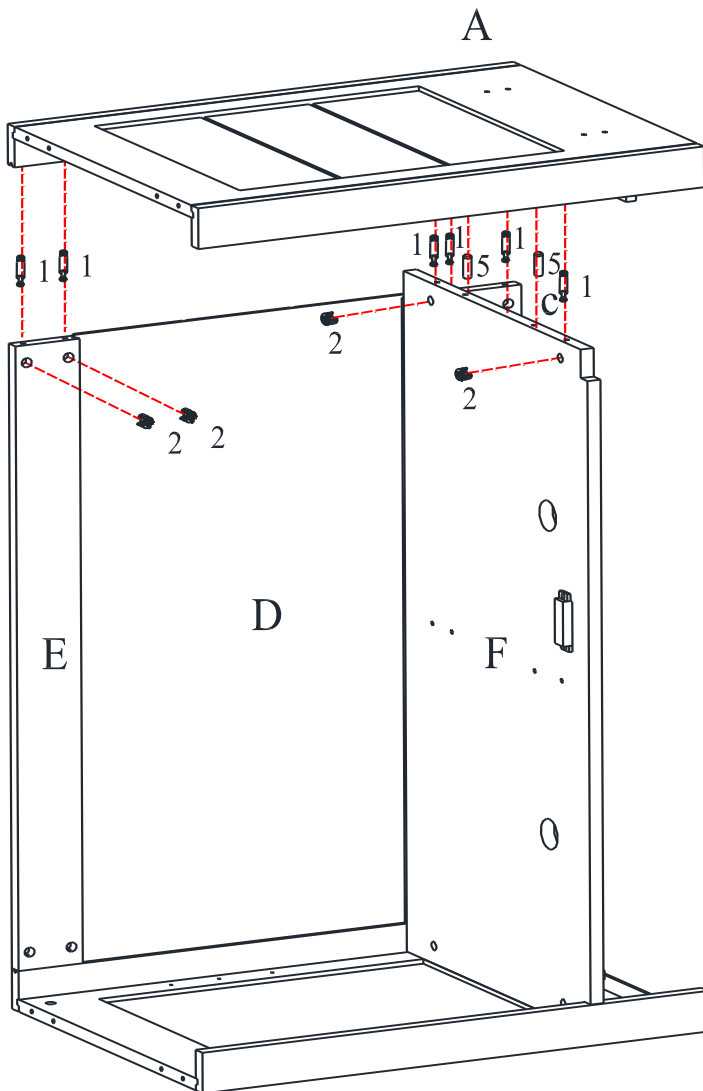
ÉTAPE 4

Insérez des boulons à came (1) dans le côté gauche (A).

Insérez des verrouillages à came (2) dans le panneau central (F), dans le support supérieur (C) et dans le support inférieur (E) tel qu'illustré ci-dessous.

Insérez des goujons de bois (5) dans le panneau central (F).

Attachez le côté gauche (A) à l'unité déjà assemblée tel qu'illustré ci-dessous et fixez-les en tournant les verrouillages à came (2) $\frac{1}{2}$ tour dans le sens horaire avec un tournevis cruciforme (non compris).



Îlot de cuisine avec 2 tabourets

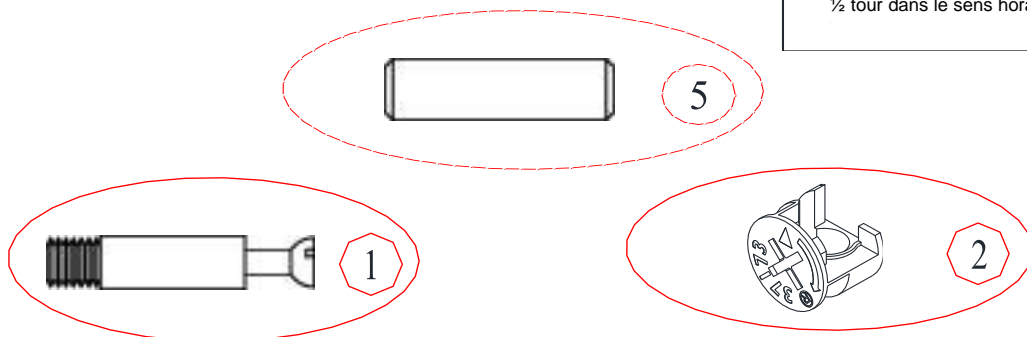
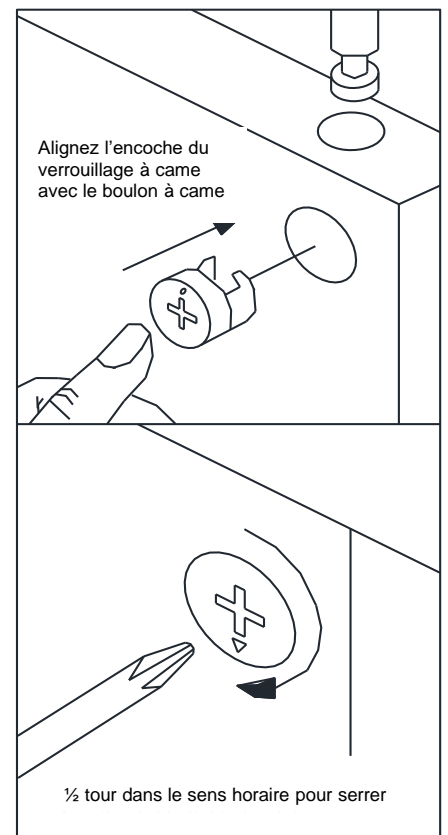
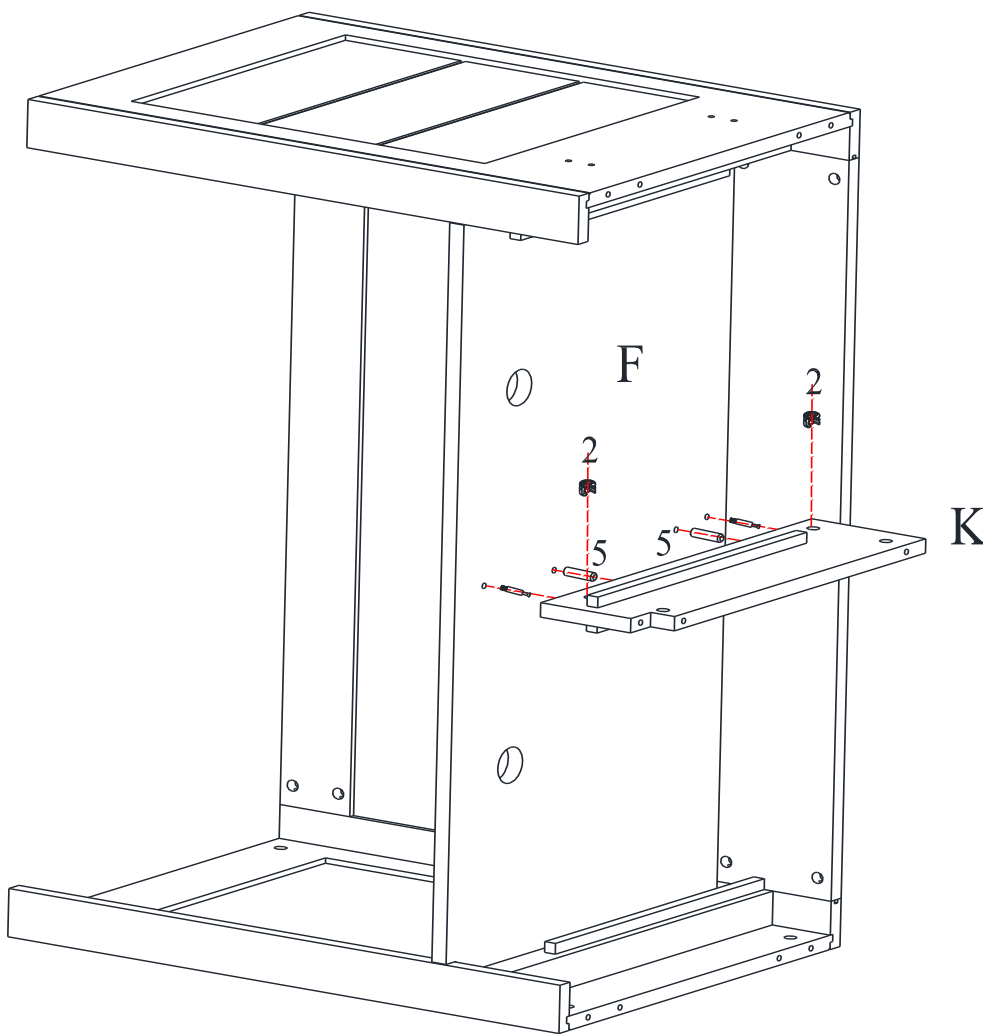
DA7867

ÉTAPE 5

Insérez des boulons à came (1) et des goujons de bois (5) dans le panneau central (F).

Insérez des verrouillages à came (2) dans le panneau supérieur (K).

Attachez le panneau supérieur (K) avec le panneau central (F) et fixez-les en tournant les verrouillages à came (2) $\frac{1}{2}$ tour dans le sens horaire avec un tournevis cruciforme (non compris).

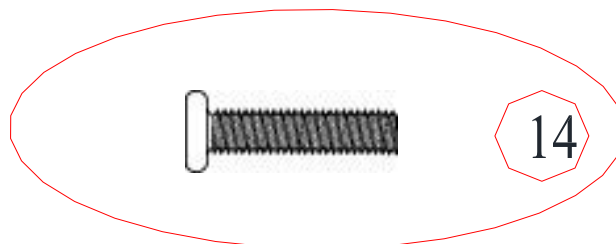
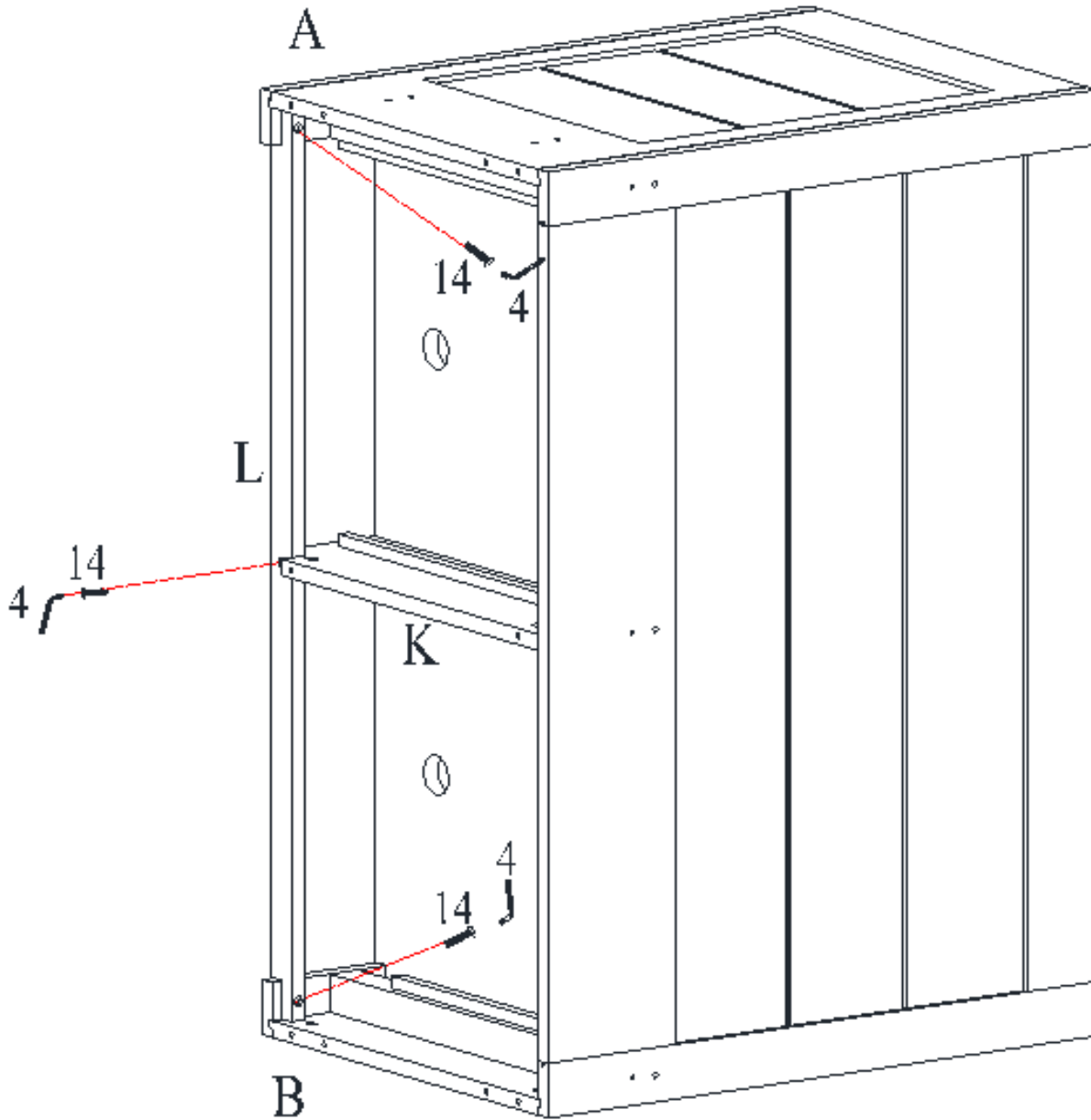


Îlot de cuisine avec 2 tabourets DA7867

ÉTAPE 6

Attachez la barre supérieure avant (L) aux côtés gauche et droit (A et B) et au panneau supérieur (K) avec des boulons (14) tel qu'illustré.

Servez-vous de la clé Allen (4) pour serrer les boulons (14).



Îlot de cuisine avec 2 tabourets

DA7867

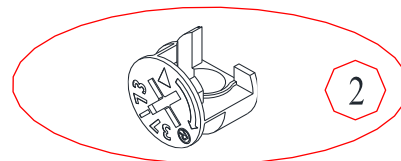
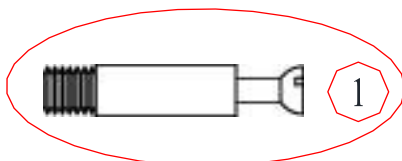
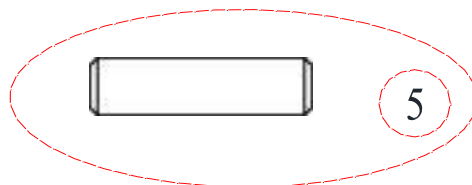
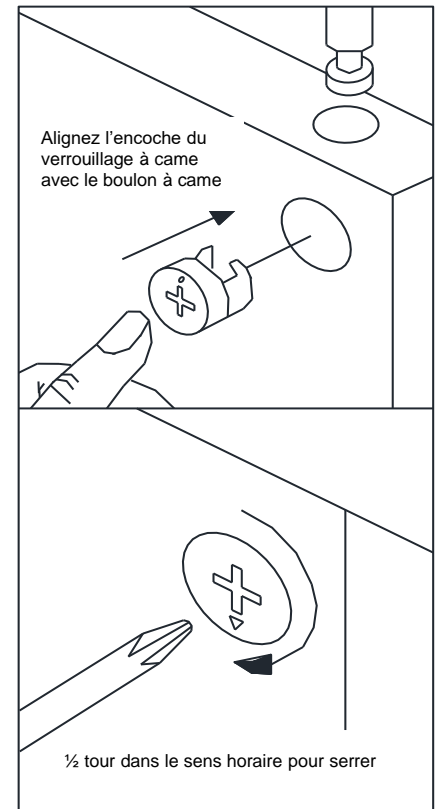
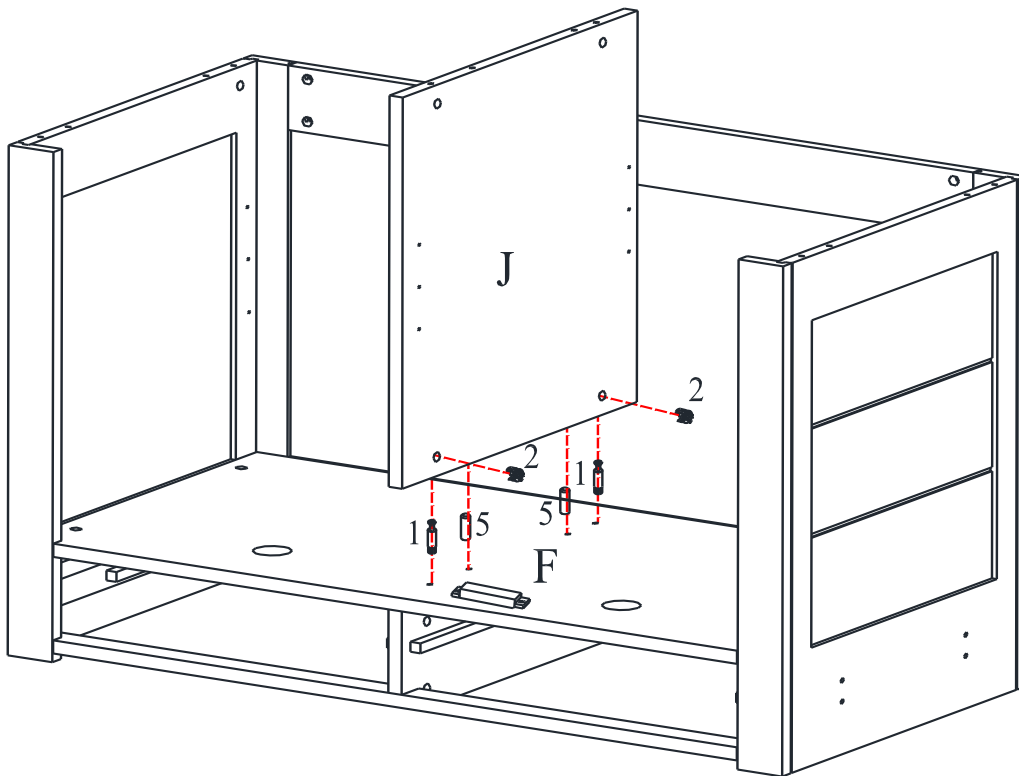
ÉTAPE 7

Avec l'aide d'une autre personne, tournez l'unité déjà assemblée à l'envers.

Insérez des boulons à came (1) et des goujons de bois (5) dans le panneau central (F) avec un tournevis cruciforme (non compris).

Insérez des verrouillages à came (2) dans le panneau vertical (J).

Attachez le panneau vertical (J) avec le panneau central (F) et fixez-les en tournant les verrouillages à came (2) $\frac{1}{2}$ tour dans le sens horaire avec un tournevis cruciforme (non compris).



Îlot de cuisine avec 2 tabourets

DA7867

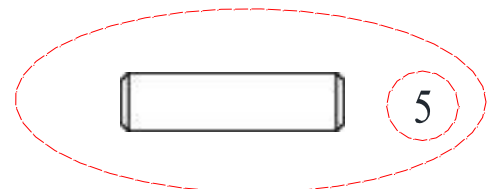
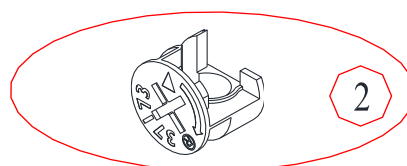
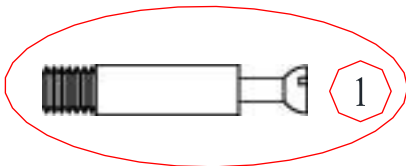
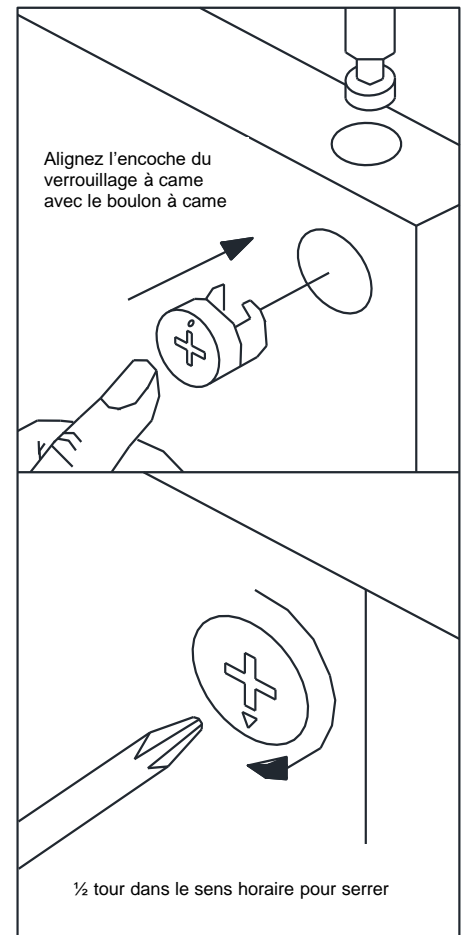
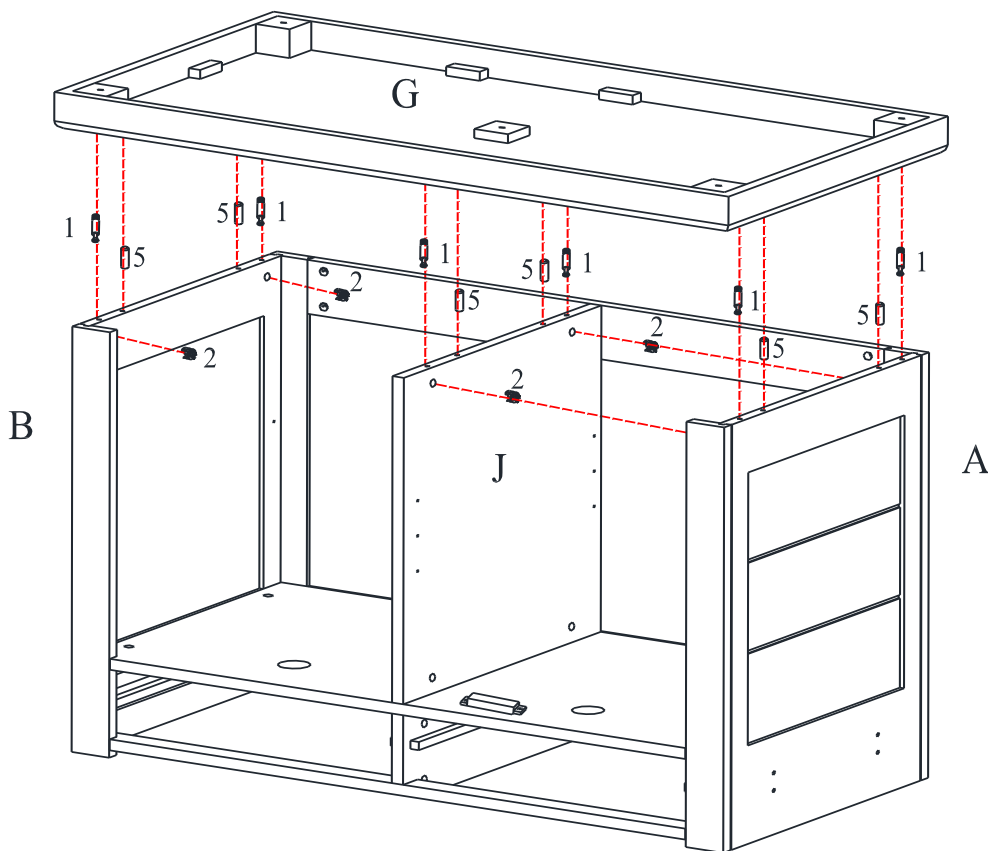
ÉTAPE 8

Insérez des boulons à came (1) dans le panneau inférieur (G) avec un tournevis cruciforme (non compris).

Insérez des goujons de bois (5) dans les côtés (A et B) et dans le panneau vertical (J).

Insérez des verrouillages à came (2) dans le panneau vertical (J) et dans les côtés (A et B) tel qu'illustré.

Attachez le panneau inférieur (G) au panneau vertical (J) et aux côtés (A et B) et fixez-les en tournant les verrouillages à came (2) $\frac{1}{2}$ tour dans le sens horaire avec un tournevis cruciforme (non compris).

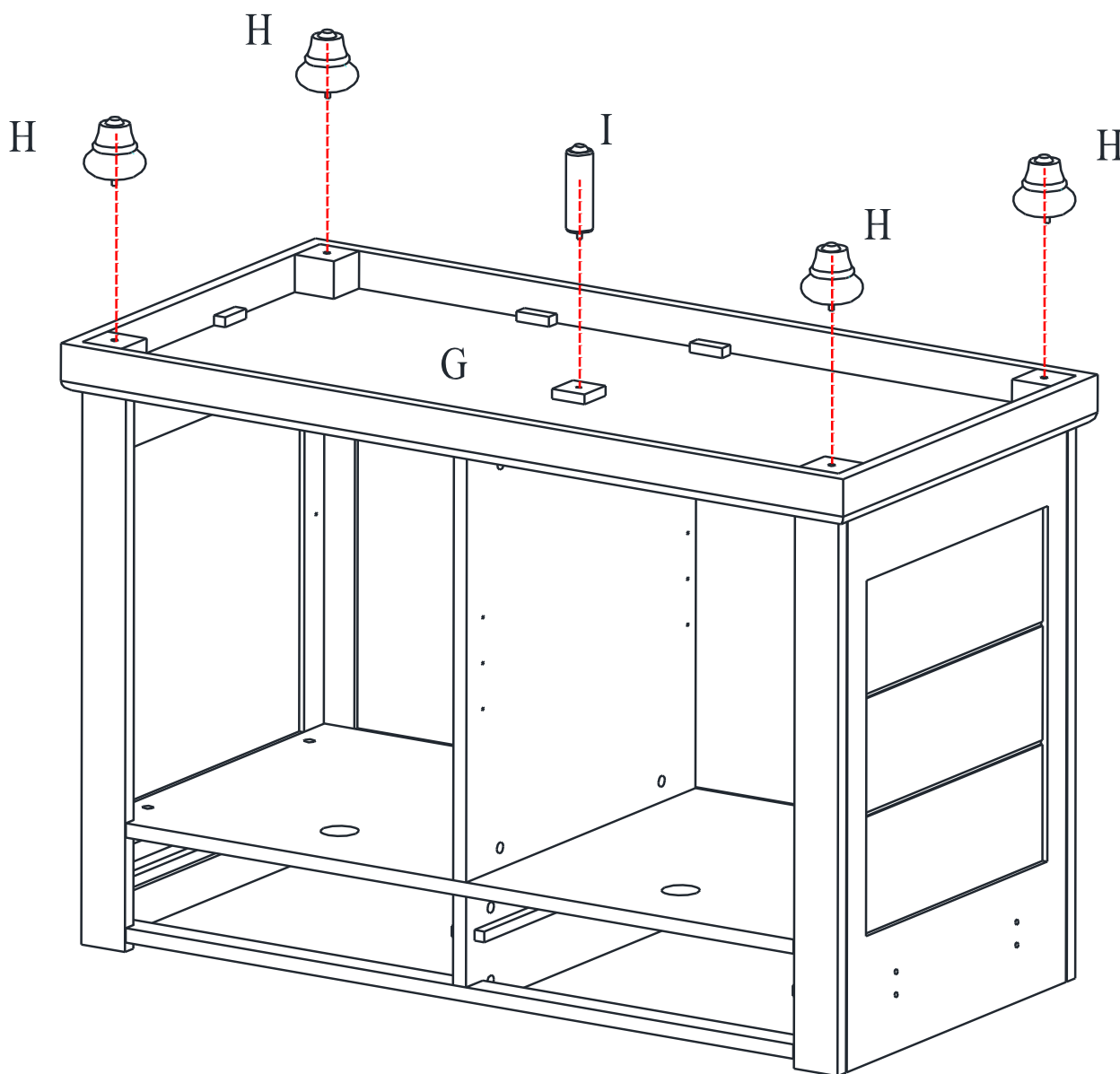


Îlot de cuisine avec 2 tabourets DA7867

ÉTAPE 9

Installez les pieds en forme d'oignon (H) et le pied de support (I) dans le panneau inférieur (G) en tournant dans le sens horaire.

Avec l'aide d'une autre personne, tournez l'îlot à l'endroit.



Îlot de cuisine avec 2 tabourets DA7867

ÉTAPE 10

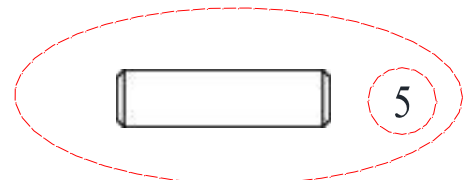
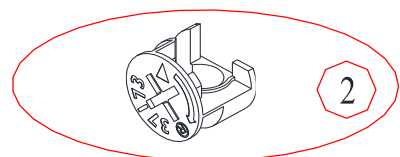
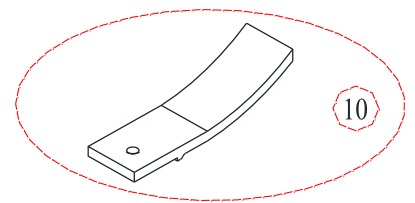
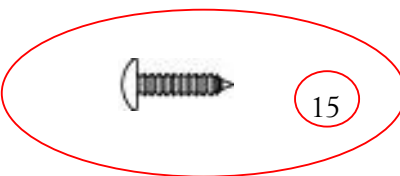
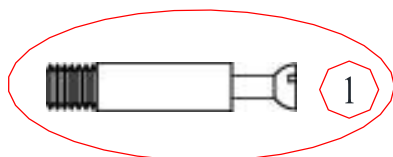
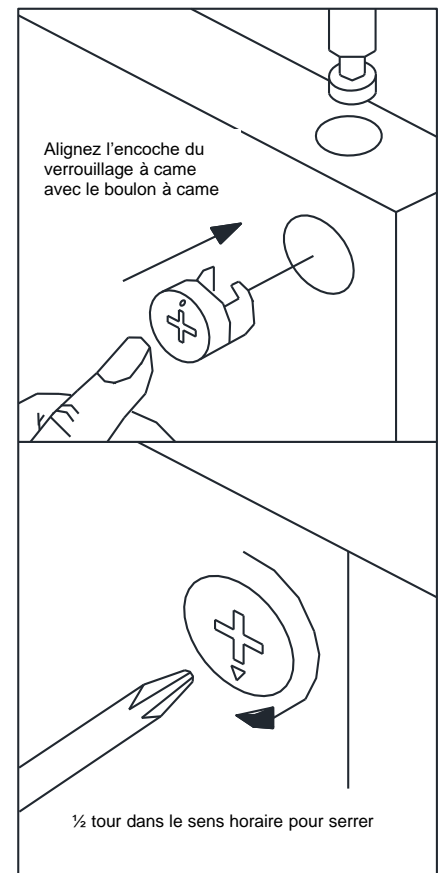
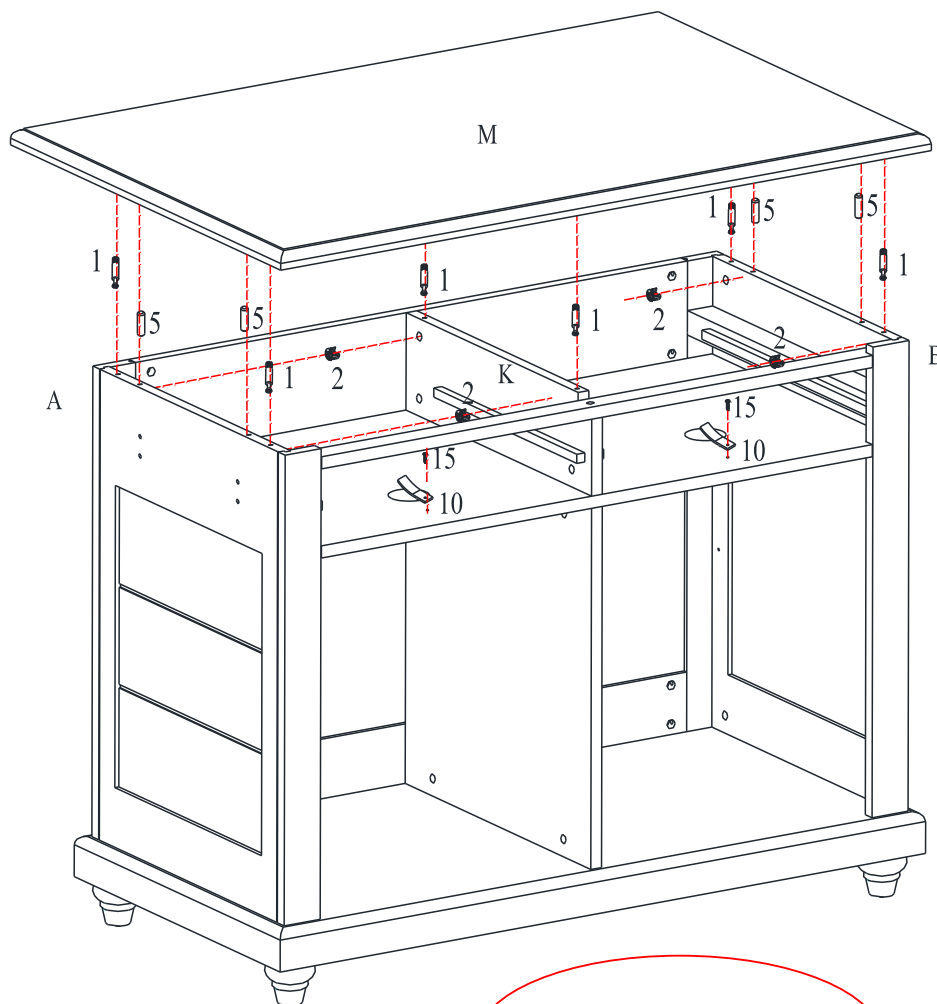
Installez les arrêts de tiroir (10) sur le panneau central (F) avec des vis à tête arrondie (15) et un tournevis cruciforme (non compris).

Insérez des boulons à came (1) dans le dessus de l'îlot (M).

Insérez des goujons de bois (5) dans les côtés (A et B).

Insérez des verrouillages à came (2) dans le panneau supérieur (K) et dans les côtés (A et B) tel qu'illustré.

Attachez le dessus de l'îlot (M) au panneau supérieur (K) et aux côtés (A et B) et fixez-les en tournant les verrouillages à came (2) $\frac{1}{2}$ tour dans le sens horaire avec un tournevis cruciforme (non compris).



Îlot de cuisine avec 2 tabourets

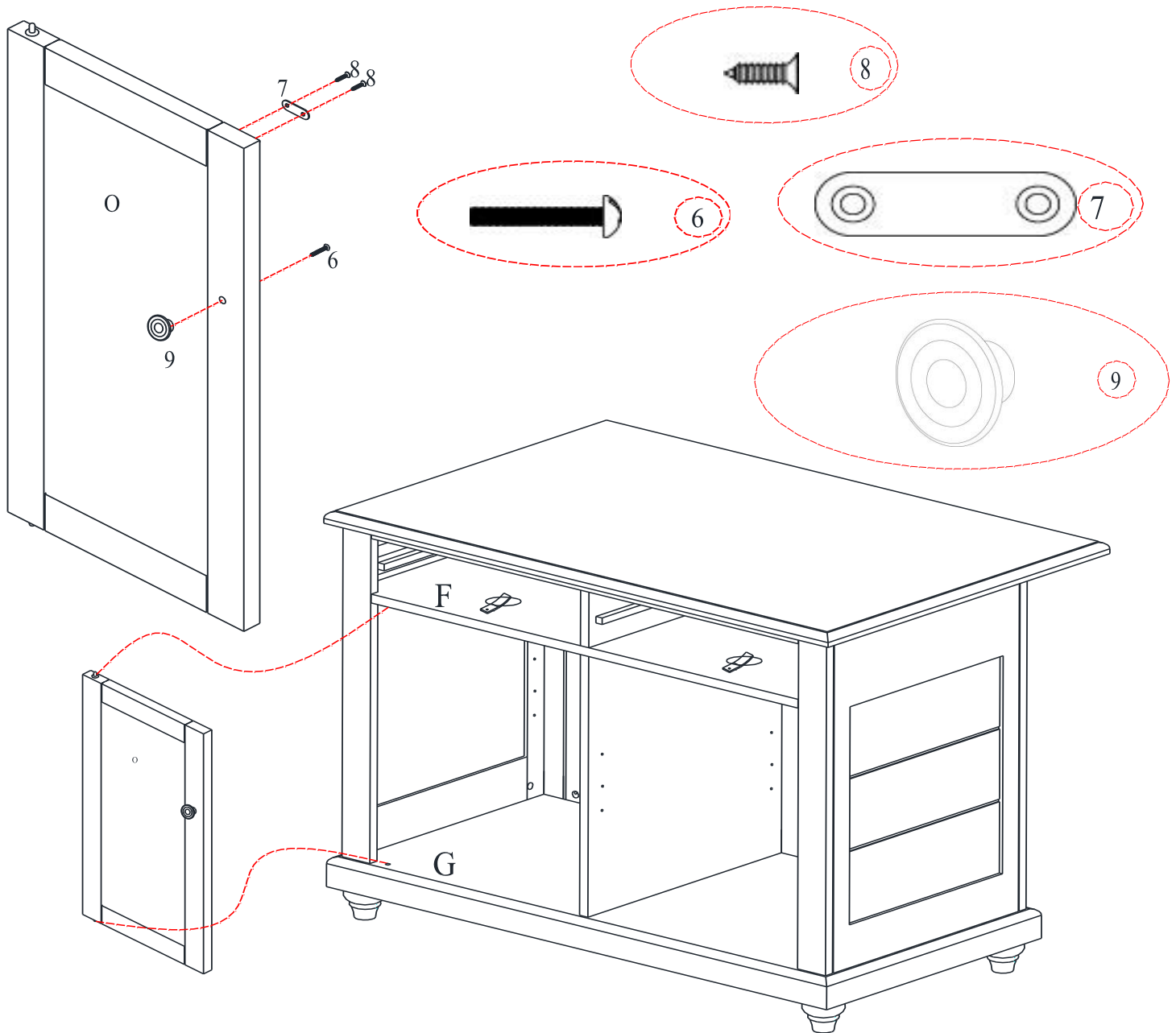
DA7867

ÉTAPE 11

Placez un bouton (9) sur la porte (O) avec un boulon (6).

Fixez la plaque de métal (7) à la porte (O) avec des vis à tête plate (8).

Installez la porte (O) en poussant vers le bas les tiges de la porte et en insérant la porte dans les trous situés dans le panneau central (F) et dans le panneau inférieur (G).



Îlot de cuisine avec 2 tabourets

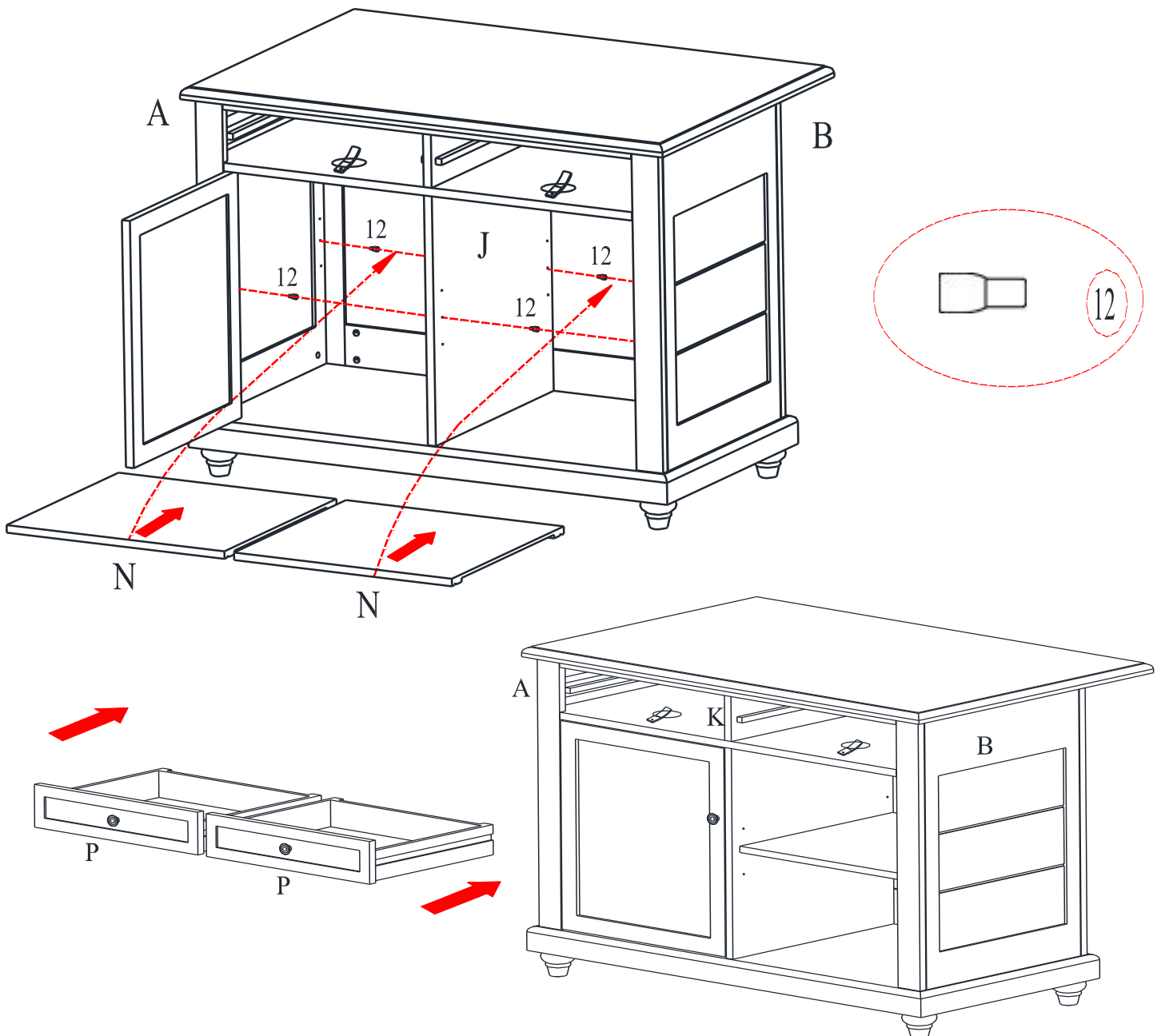
DA7867

ÉTAPE 12

Insérez les supports à étagères (12) dans les trous situés dans les côtés (A et B) et dans le panneau vertical (,

Placez les étagères ajustables (N) sur les supports à étagères (12) tel qu'illustré ci-dessous.

Glissez les tiroirs déjà assemblés dans l'îlot.



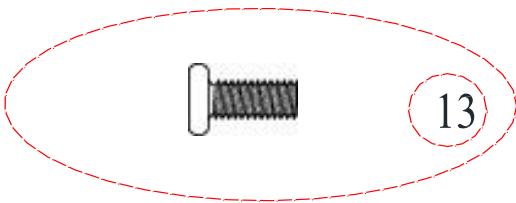
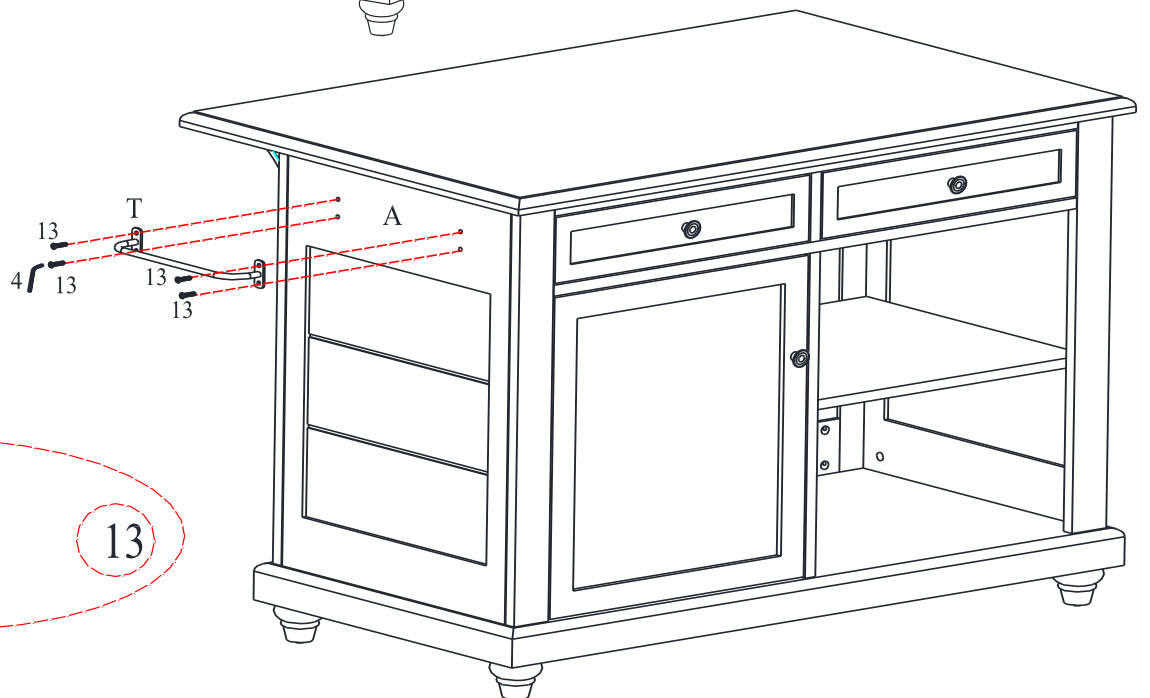
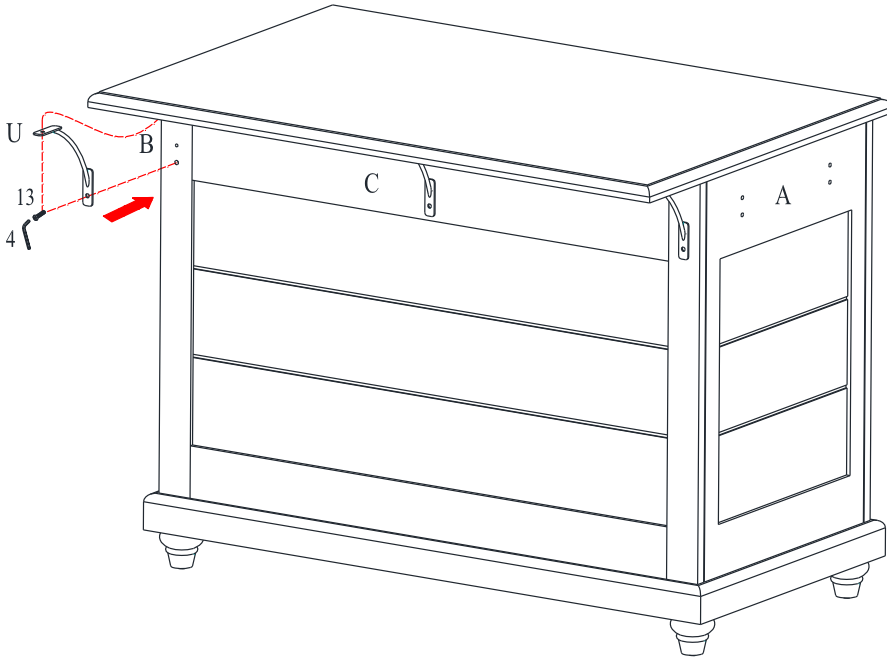
Îlot de cuisine avec 2 tabourets

DA7867

ÉTAPE 13

Attachez le support de métal (U) aux côtés (A et B) et au support supérieur (C) avec des boulons (13). Fixez le porte serviette (T) au côté gauche (A) avec des boulons (13).

Servez-vous de la clé Allen (4) pour serrer les boulons (13).



Îlot de cuisine avec 2 tabourets

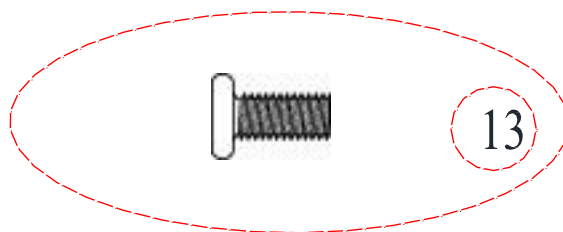
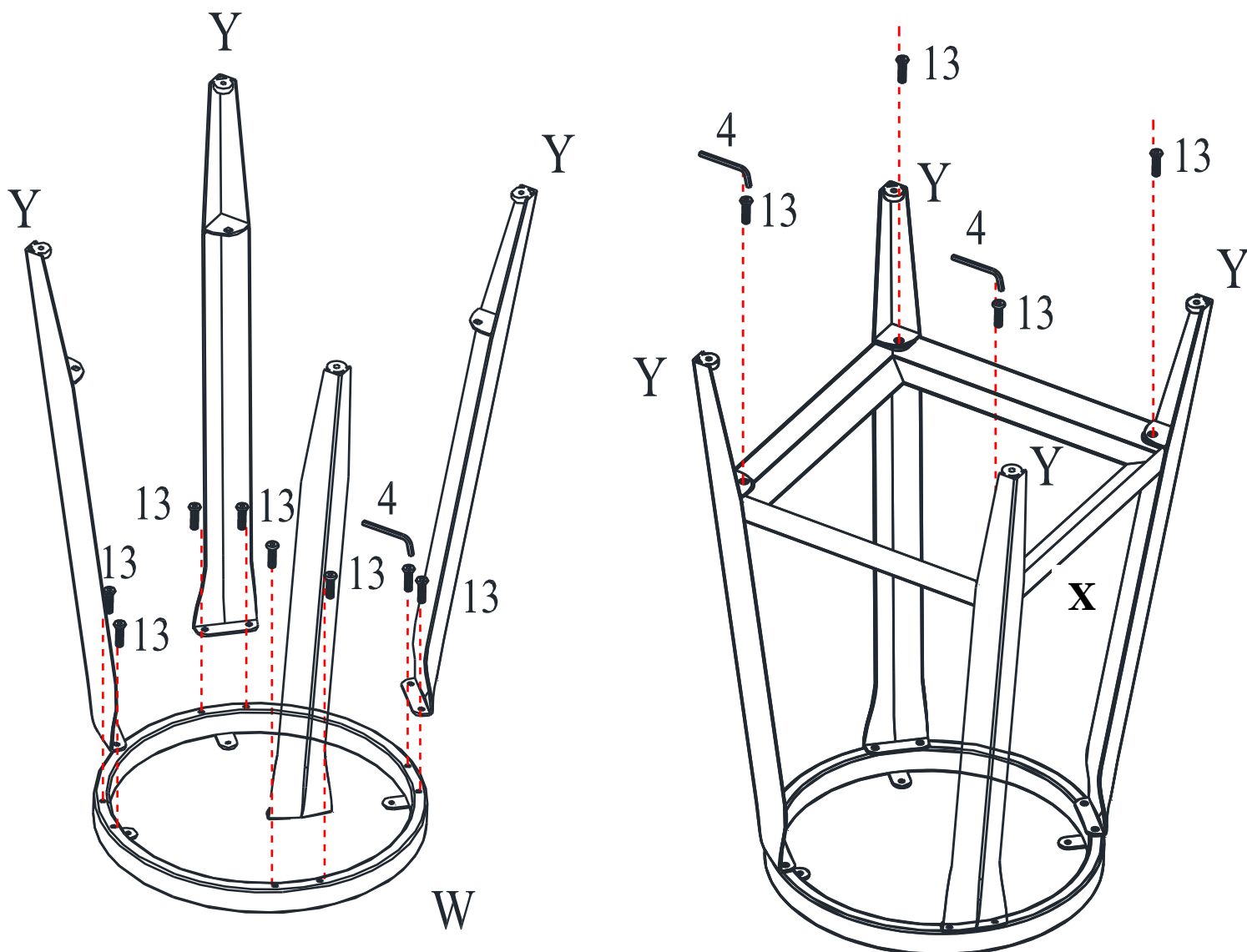
DA7867

ÉTAPE 14

Fixez les pieds (Y) au cadre du siège (W) avec des boulons (13). Laissez les boulons desserrés.
Fixez le cadre tendeur (X) aux pieds (Y) avec des boulons (13).

Servez- vous de la clé Allen (4) pour installer les boulons (13).

NOTE : Ne pas serrer totalement les boulons jusqu'à ce que le cadre tendeur (X) ne soit pas fixé aux pieds (Y).



Îlot de cuisine avec 2 tabourets

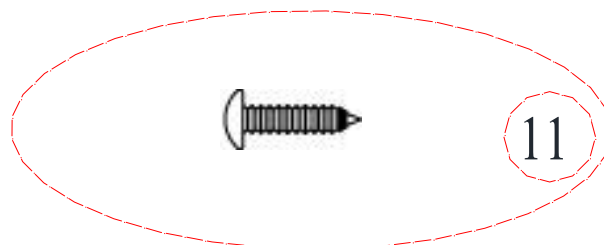
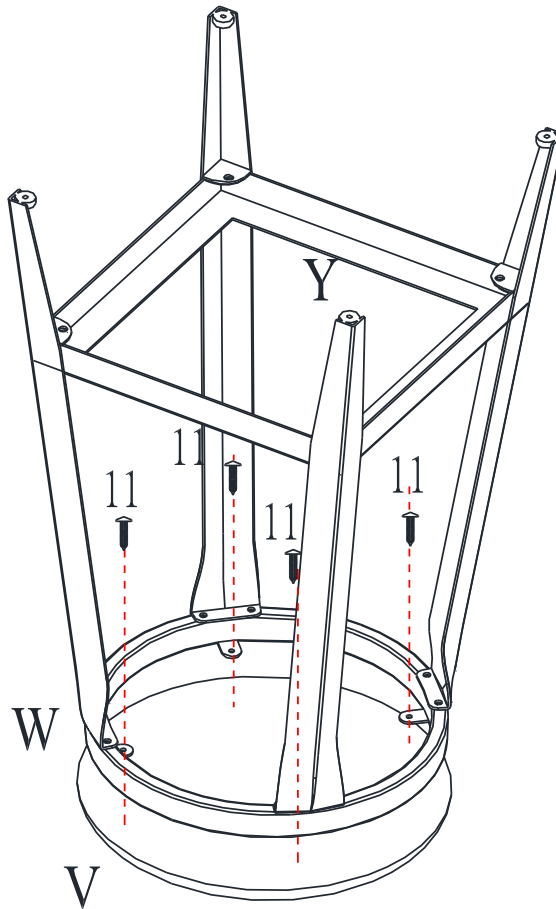
DA7867

ÉTAPE 15

Fixez le cadre du siège (W) au siège (V) avec des vis à tête arrondie (11).

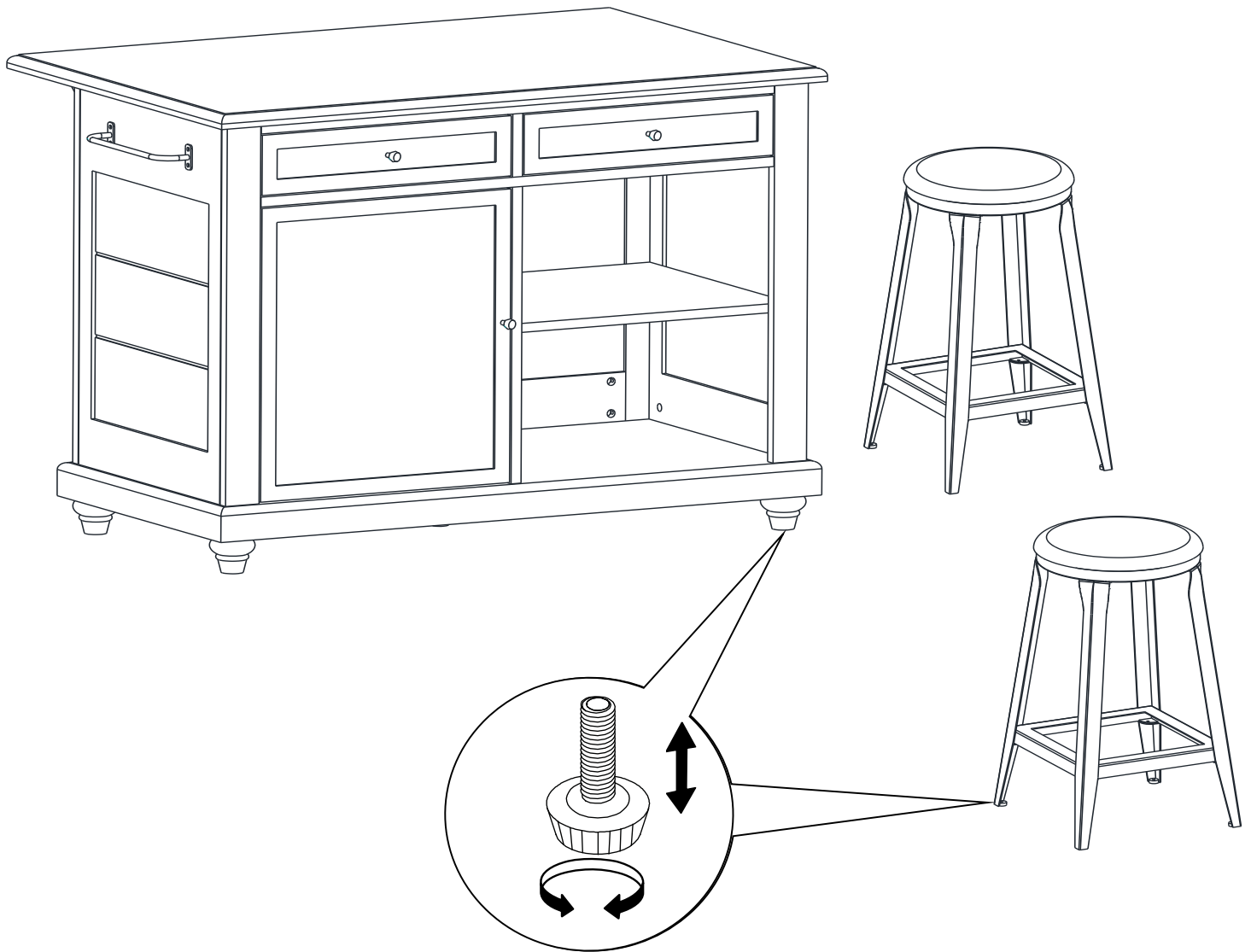
NOTE : Les vis (11) perceront leurs propres trous. Ne pas utiliser des outils électriques et ne pas trop serrer les vis.

Répétez les étapes 14 et 15 pour assembler l'autre tabouret.



Îlot de cuisine avec 2 tabourets DA7867

NOTE : Les pieds (H) et les pieds des tabourets (Y) sont équipés des niveleurs ajustables. Tournez les niveleurs ajustables pour vous assurer que l'îlot et les tabourets soient stables et posés bien à plat.



Nivelleur réglable

Îlot de cuisine avec 2 tabourets DA7867



ATTENTION: Cette unité est conçue pour être utilisée seulement avec les produits et/ou les poids maximum indiqués. L'utilisation avec d'autres produits et/ou des produits plus lourds que les poids maximum indiqués peut entraîner de l'instabilité et causer des blessures.

Poids maximum du produit

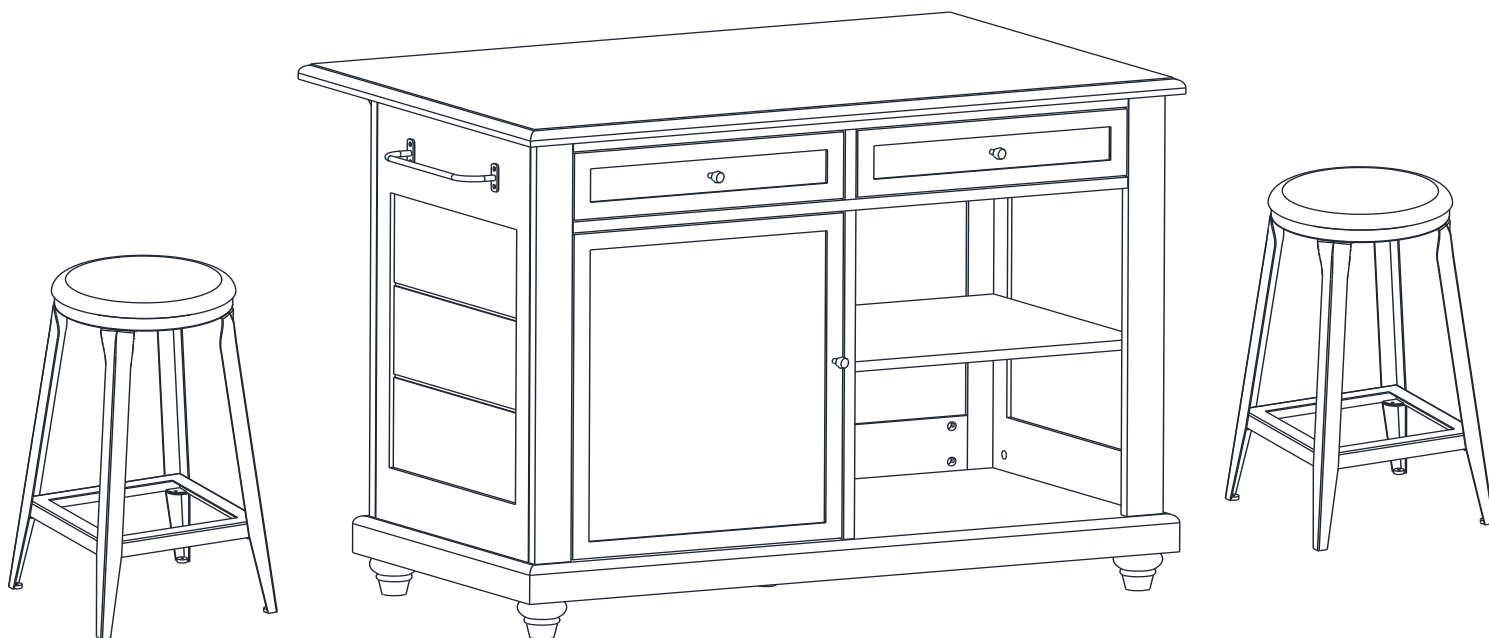
Panneau supérieur : 100 lbs

Tiroirs : 15 lbs

Étagères : 20 lbs

Porte-serviette : 5 lbs

Tabouret : 225 lbs



Voilà! Vous avez terminé d'assembler votre Îlot de cuisine avec 2 tabourets.

NE PAS RETOURNER LE PRODUIT AU MAGASIN.

Si une pièce est manquante ou endommagée, contactez notre Service à la clientèle. Nous remplacerons la pièce **GRATUITEMENT.**



Tél #: 1-800-295-1980
Courriel: das@dorel.com
Télécopieur #: 514-353-7819

Service à la clientèle

S.V.P. NE PAS RETOURNER CE PRODUIT AU MAGASIN

**VEUILLEZ CONTACTER UN REPRÉSENTANT DU SERVICE À LA CLIENTÈLE À L'UN
DES NUMÉROS SUIVANTS SI DES PIÈCES SONT MANQUANTES OU DÉFECTUEUSES.**

Numéro de téléphone du Service à la clientèle : 1-800-29€

Numéro de télécopieur du Service à la clientèle : 514-353-7819

Courriel : das@dorel.com

Date de la demande :

Nom :

Adresse de livraison :

Rue & Numéro :

Ville & Province :

Code postal :

uméro de téléphone de jour :

(incluant le code régional)

Date & Lieu d'achat :

Description de la (des) pièce(s) et quantité: (S.V.P. assurez-vous d'inscrire le numéro de modèle ou le numéro de produit SKI

Customer Service Representative Mailing Address:

Service à la clientèle, Département No. 413, 12345 boul. Albert-Hudon, Suite 100, Montreal, QC, Canada, H1G 3L1